



KOMFORT LW 1100-4

Heat recovery air handling units

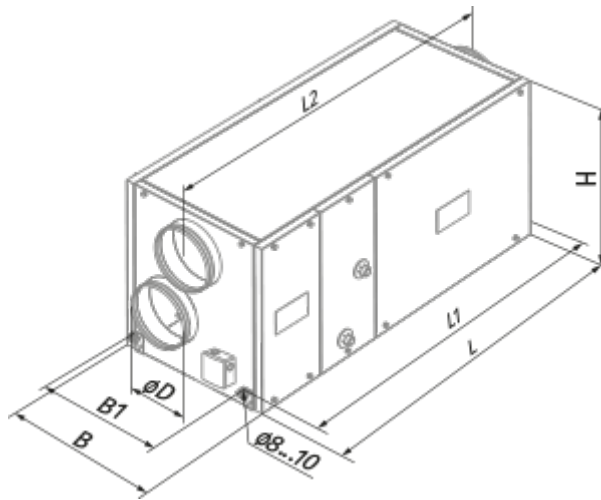
- Maximum airflow: 1100
- Sound pressure level LpA at 3 m: 60
- Heat exchanger type: Cross flow
- Extract filter: G4
- Supply filter: G4
- Sound insulation
- Motor type: AC
- Reheater: Water
- Control: Wired control panel
- Casing material: Galvanized steel

	Unit of measurement	KOMFORT LW 1100-4
Connected air duct size	mm	249
Speed	-	1
Phases	-	1
Minimum supply voltage	V	230
Maximum supply voltage	V	230
Power supply frequency	Hz	50/60
Rated power	W	820
Unit current	A	3.2
Maximum airflow	m ³ /h	1100
Sound pressure level LpA at 3 m	dB(A)	60
Heat recovery efficiency, max	%	78
Heat exchanger type	-	Cross flow
Heat exchanger material	-	Polystyrene
Weight	kg	85
Extract filter	-	G4
Supply filter	-	G4
Transported air temperature (max)	°C	40
Transported air temperature (min)	°C	-25
Ambient air temperature min	°C	1
Ambient air temperature max	°C	40
Ambient air humidity max	%	80

Ingress protection rating	-	IP22
Ingress protection rating of the drive	-	IP44


Dimensions

ØD	B	B1	H	L	L1	L2
249	613	460	698	1071	1117	1171





Accessories

Other accessories


Name	Photo	Description
FP 550x253x48 G4		G4 panel filter
SB C4 300/384		

For round ducts

Name	Photo	Description
SD 250/600		Silencers for round ducts
SD 250/900		Silencers for round ducts

SD 250/1200		Silencers for round ducts
SDF 250/600		Flexible silencers for round ducts
SDF 250/900		Flexible silencers for round ducts
SDF 250/2000		Flexible silencers for round ducts

For round ducts

Name	Photo	Description
VRV 250		Backdraft dampers with spring for round ducts