



KOMFORT LE 800-9

Heat recovery air handling units

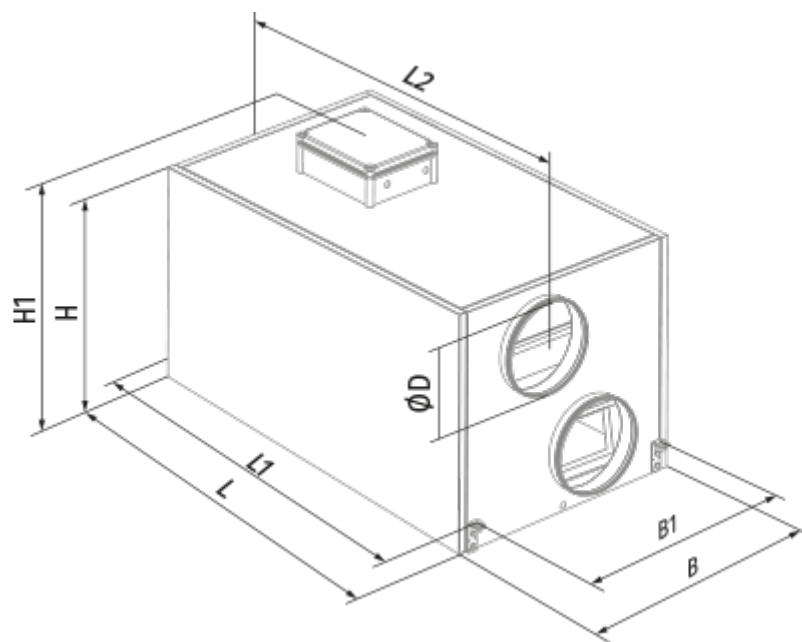
- Power of electrical reheater: 9000
- Maximum airflow: 800
- Sound pressure level LpA at 3 m: 48
- Heat exchanger type: Cross flow
- Extract filter: G4
- Supply filter: G4
- Sound insulation
- Motor type: AC
- Reheater: Electric
- Control: Wired control panel
- Casing material: Aluzinc steel

	Unit of measurement	KOMFORT LE 800-9
Connected air duct size	mm	250
Speed	-	1
Phases	-	3
Minimum supply voltage	V	400
Maximum supply voltage	V	400
Power supply frequency	Hz	50/60
Rated power	W	490
Power of electrical reheater	W	9000
Unit current	A	15.16
Maximum airflow	m ³ /h	800
Sound pressure level LpA at 3 m	dB(A)	48
Heat recovery efficiency, max	%	78
Heat exchanger type	-	Cross flow
Heat exchanger material	-	Polystyrene
Weight	kg	85
Extract filter	-	G4
Supply filter	-	G4
Transported air temperature (max)	°C	40
Transported air temperature (min)	°C	-25
Ambient air temperature min	°C	1
Ambient air temperature max	°C	40

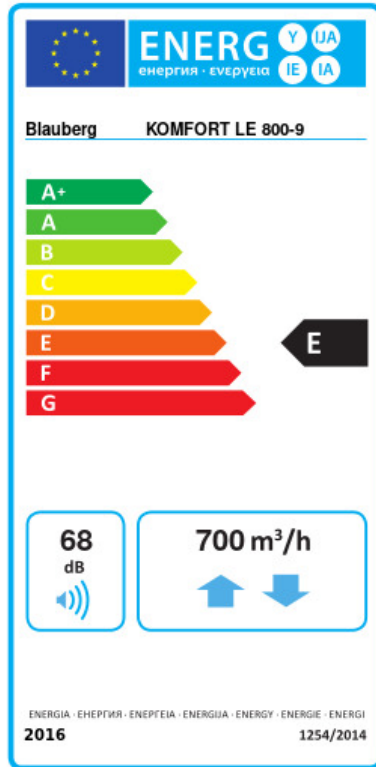
Ambient air humidity max	%	80
Ingress protection rating	-	IP22
Ingress protection rating of the drive	-	IP44

Dimensions

ØD	B	B1	H	H1	L	L1	L2
249	613	460	698	832	1071	1117	1176



Ecodesign



Trademark	Blauberg			
Model	KOMFORT LE 800-9			
Specific energy consumption (SEC) (kWh/(m ² /a))	Cold	Average	Warm	
	50.4	A+	19.8	E 0.3 G
Type of ventilation unit	Bidirectional			
Type of drive installed	Multi-speed			
Type of heat recovery system	Recuperative			
Thermal efficiency of heat recovery (%)	64			
Maximum flow rate (m ³ /h)	700			
Electric power input (W)	490			
Reference flow rate (m ³ /s)	0.136			
Reference pressure difference (Pa)	50			
Specific power input (SPI) (W/(m ³ /h))	0.551			
Control typology	Manual control			
Maximum internal leakage rates (%)	2.7			
Maximum external leakage rates (%)	2.7			
Sound power level (dB(A))	68			
Declared typology	RVU BVU			
The annual electricity consumption (AEC) (kWh/a)	Cold	Average	Warm	
	1272	735	690	
The annual heating saved (AHS) (kWh/a)	Cold	Average	Warm	
	7343	3754	1697	

Accessories


Other accessories

Name	Photo	Description
FP 550x253x48 G4		G4 panel filter
SB C4 300/384		

For round ducts

Name	Photo	Description
SD 250/600		Silencers for round ducts
SD 250/900		Silencers for round ducts
SD 250/1200		Silencers for round ducts
SDF 250/600		Flexible silencers for round ducts
SDF 250/900		Flexible silencers for round ducts
SDF 250/2000		Flexible silencers for round ducts

For round ducts

Name	Photo	Description
VRV 250		Backdraft dampers with spring for round ducts