



# KOMFORT LE 530-4

Heat recovery air handling units

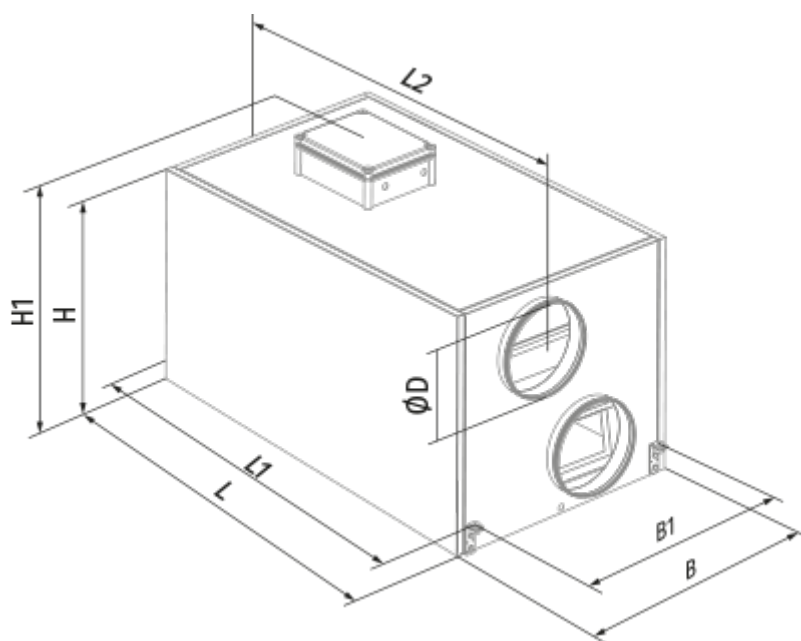
- Power of electrical reheater: 4000
- Maximum airflow: 530
- Sound pressure level LpA at 3 m: 28-47
- Heat exchanger type: Cross flow
- Extract filter: G4
- Supply filter: G4
- Sound insulation
- Motor type: AC
- Reheater: Electric
- Control: Wired control panel
- Casing material: Aluzinc steel

	Unit of measurement	KOMFORT LE 530-4
Connected air duct size	mm	160
Speed	-	1
Phases	-	1
Minimum supply voltage	V	230
Maximum supply voltage	V	230
Power supply frequency	Hz	50/60
Rated power	W	300
Power of electrical reheater	W	4000
Unit current	A	18.72
Maximum airflow	m <sup>3</sup> /h	530
Sound pressure level LpA at 3 m	dB(A)	28-47
Heat recovery efficiency, max	%	88
Heat exchanger type	-	Cross flow
Heat exchanger material	-	Polystyrene
Weight	kg	49
Extract filter	-	G4
Supply filter	-	G4
Transported air temperature (max)	°C	40
Transported air temperature (min)	°C	-25
Ambient air temperature min	°C	1
Ambient air temperature max	°C	40

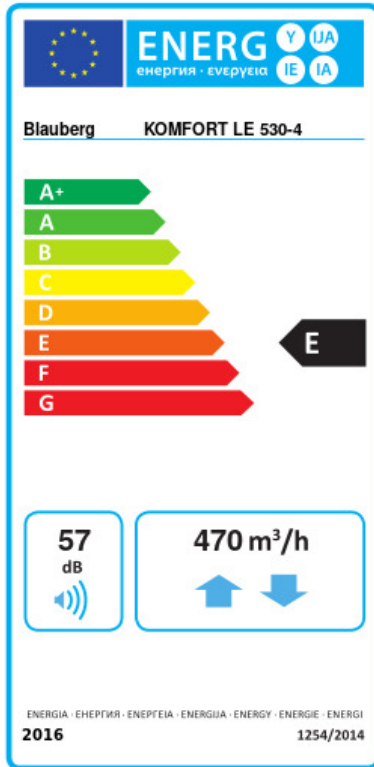
Ambient air humidity max	%	80
Ingress protection rating	-	IP22
Ingress protection rating of the drive	-	IP44

## Dimensions

ØD	B	B1	H	H1	L	L1	L2
159	497	403	554	-	954	996	1057



## Ecodesign



Trademark	Blauberg		
Model	KOMFORT LE 530-4		
Specific energy consumption (SEC) (kWh/(m <sup>2</sup> /a))	Cold	Average	Warm
	48.8	A+ 18.2	E 1.9 G
Type of ventilation unit	Bidirectional		
Type of drive installed	Multi-speed		
Type of heat recovery system	Recuperative		
Thermal efficiency of heat recovery (%)	64		
Maximum flow rate (m <sup>3</sup> /h)	470		
Electric power input (W)	300		
Reference flow rate (m <sup>3</sup> /s)	0.091		
Reference pressure difference (Pa)	50		
Specific power input (SPI) (W/(m <sup>3</sup> /h))	0.602		
Control typology	Manual control		
Maximum internal leakage rates (%)	2.7		
Maximum external leakage rates (%)	2.7		
Declared typology	RVU BVU		
Sound power level (dB(A))	57		
The annual electricity consumption (AEC) (kWh/a)	Cold	Average	Warm
	1336	799	754
The annual heating saved (AHS) (kWh/a)	Cold	Average	Warm
	7343	3754	1697

## Accessories


### Other accessories

Name	Photo	Description
FP 438x215x48 G4		G4 panel filter
SB C4 300/300		

### For round ducts

Name	Photo	Description
<a href="#">SD 160/600</a>		Silencers for round ducts
<a href="#">SD 160/900</a>		Silencers for round ducts
<a href="#">SD 160/1200</a>		Silencers for round ducts
<a href="#">SDF 160/600</a>		Flexible silencers for round ducts
<a href="#">SDF 160/900</a>		Flexible silencers for round ducts
<a href="#">SDF 160/2000</a>		Flexible silencers for round ducts

#### For round ducts

Name	Photo	Description
<a href="#">VRV 160</a>		Backdraft dampers with spring for round ducts