



# KOMFORT LE 500-3

Heat recovery air handling units

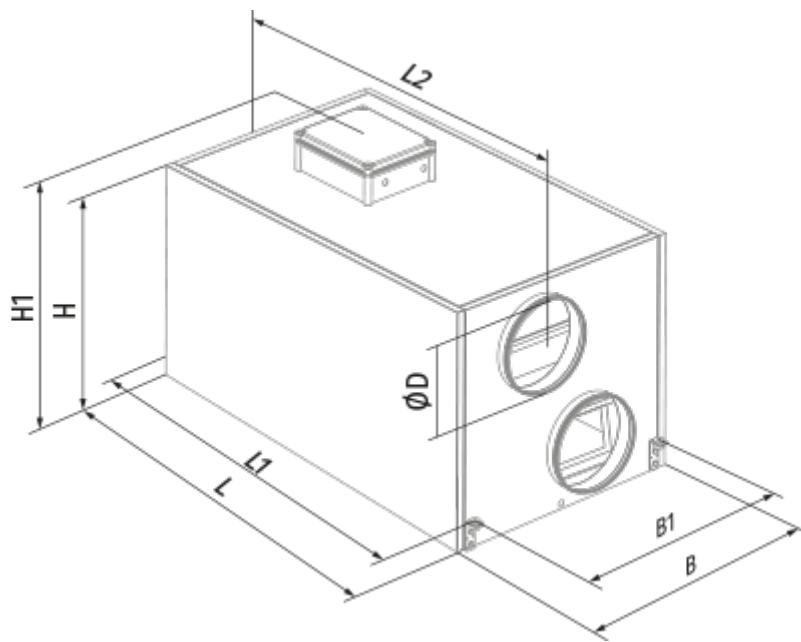
- Power of electrical reheater: 3000
- Maximum airflow: 500
- Sound pressure level LpA at 3 m: 24-47
- Heat exchanger type: Cross flow
- Extract filter: G4
- Supply filter: G4
- Sound insulation
- Motor type: AC
- Reheater: Electric
- Control: Wired control panel
- Casing material: Aluzinc steel

|                                   | Unit of measurement | KOMFORT LE 500-3 |
|-----------------------------------|---------------------|------------------|
| Connected air duct size           | mm                  | 150              |
| Speed                             | -                   | 1                |
| Phases                            | -                   | 1                |
| Minimum supply voltage            | V                   | 230              |
| Maximum supply voltage            | V                   | 230              |
| Power supply frequency            | Hz                  | 50/60            |
| Rated power                       | W                   | 300              |
| Power of electrical reheater      | W                   | 3000             |
| Unit current                      | A                   | 14.32            |
| Maximum airflow                   | m <sup>3</sup> /h   | 500              |
| Sound pressure level LpA at 3 m   | dB(A)               | 24-47            |
| Heat recovery efficiency, max     | %                   | 88               |
| Heat exchanger type               | -                   | Cross flow       |
| Heat exchanger material           | -                   | Polystyrene      |
| Weight                            | kg                  | 49               |
| Extract filter                    | -                   | G4               |
| Supply filter                     | -                   | G4               |
| Transported air temperature (max) | °C                  | 40               |
| Transported air temperature (min) | °C                  | -25              |
| Ambient air temperature min       | °C                  | 1                |
| Ambient air temperature max       | °C                  | 40               |

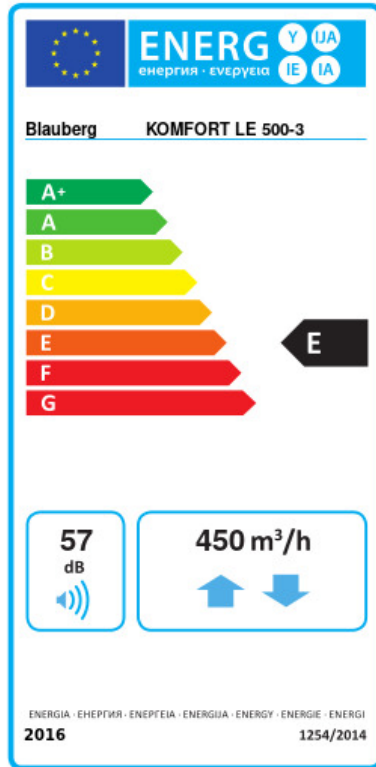
|  |   |      |
|--|---|------|
| Ambient air humidity max               | % | 80   |
| Ingress protection rating              | - | IP22 |
| Ingress protection rating of the drive | - | IP44 |

## Dimensions

| ØD  | B   | B1  | H   | H1 | L   | L1  | L2   |
|-----|-----|-----|-----|----|-----|-----|------|
| 149 | 497 | 403 | 554 | -  | 954 | 996 | 1057 |



## Ecodesign



|   |                  |         |      |         |
|---|------------------|---------|------|---------|
| Trademark   | Blauberg         |         |      |         |
| Model   | KOMFORT LE 500-3 |         |      |         |
| Specific energy consumption (SEC) (kWh/(m <sup>2</sup> /a)) | Cold             | Average | Warm |         |
|   | 47.3             | A+      | 17.1 | E 2.9 G |
| Type of ventilation unit                                    | Bidirectional    |         |      |         |
| Type of drive installed                                     | Multi-speed      |         |      |         |
| Type of heat recovery system                                | Recuperative     |         |      |         |
| Thermal efficiency of heat recovery (%)                     | 63               |         |      |         |
| Maximum flow rate (m <sup>3</sup> /h)                       | 450              |         |      |         |
| Electric power input (W)                                    | 300              |         |      |         |
| Reference flow rate (m <sup>3</sup> /s)                     | 0.088            |         |      |         |
| Reference pressure difference (Pa)                          | 50               |         |      |         |
| Specific power input (SPI) (W/(m <sup>3</sup> /h))          | 0.629            |         |      |         |
| Control typology  | Manual control   |         |      |         |
| Maximum internal leakage rates (%)                          | 2.7              |         |      |         |
| Maximum external leakage rates (%)                          | 2.7              |         |      |         |
| Sound power level (dB(A))                                   | 57               |         |      |         |
| Declared typology   | RVU BVU          |         |      |         |
| The annual electricity consumption (AEC) (kWh/a)            | Cold             | Average | Warm |         |
|   | 1369             | 832     | 787  |         |
| The annual heating saved (AHS) (kWh/a)                      | Cold             | Average | Warm |         |
|   | 7281             | 3722    | 1683 |         |

## Accessories


### Other accessories

| Name             | Photo | Description     |
|------------------|-------|-----------------|
| FP 438x215x48 G4 |       | G4 panel filter |
| SB C4 300/300    |       |                 |

### For round ducts

| Name                         | Photo  | Description                        |
|------------------------------|--|------------------------------------|
| <a href="#">SD 150/600</a>   |   | Silencers for round ducts          |
| <a href="#">SD 150/900</a>   |   | Silencers for round ducts          |
| <a href="#">SD 150/1200</a>  |   | Silencers for round ducts          |
| <a href="#">SDF 150/600</a>  |   | Flexible silencers for round ducts |
| <a href="#">SDF 150/900</a>  |   | Flexible silencers for round ducts |
| <a href="#">SDF 150/2000</a> |  | Flexible silencers for round ducts |

#### For round ducts

| Name                    | Photo   | Description                                   |
|-------------------------|---|---|
| <a href="#">VRV 150</a> |  | Backdraft dampers with spring for round ducts |