



## KOMFORT L 2200

Heat recovery air handling units

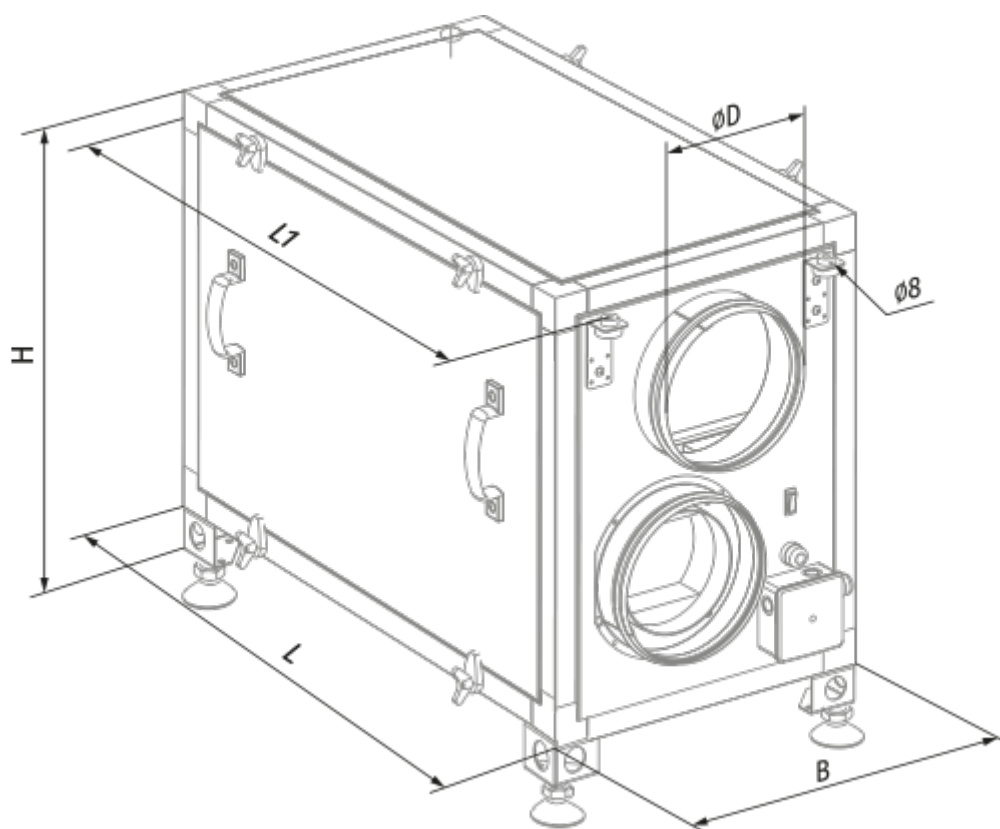
- Maximum airflow: 2200
- Sound pressure level LpA at 3 m: 65
- Heat exchanger type: Cross flow
- Extract filter: G4
- Supply filter: G4
- Sound insulation
- Motor type: AC
- Control: Speed switch
- Casing material: Galvanized steel

	Unit of measurement	KOMFORT L 2200
Connected air duct size	mm	314
Speed	-	1
Phases	-	1
Minimum supply voltage	V	230
Maximum supply voltage	V	230
Power supply frequency	Hz	50/60
Rated power	W	1300
Unit current	A	5.68
Maximum airflow	m <sup>3</sup> /h	2200
Sound pressure level LpA at 3 m	dB(A)	65
Heat recovery efficiency, max	%	87
Heat exchanger type	-	Cross flow
Heat exchanger material	-	Polystyrene
Weight	kg	96
Extract filter	-	G4
Supply filter	-	G4
Transported air temperature (max)	°C	40
Transported air temperature (min)	°C	-25
Ambient air temperature min	°C	10
Ambient air temperature max	°C	50
Ambient air humidity max	%	80

Ingress protection rating	-	IP22
Ingress protection rating of the drive	-	IP44


## Dimensions

ØD	B	H	L	L1
313	846	968	1000	1050






## Accessories


### Other accessories

Name	Photo	Description
FP 750x295x48 G4		G4 panel filter
SB C4 300/750		

### For round ducts

Name	Photo	Description
<a href="#">SD 315/600</a>		Silencers for round ducts
<a href="#">SD 315/900</a>		Silencers for round ducts
<a href="#">SD 315/1200</a>		Silencers for round ducts

### For round ducts

Name	Photo	Description
<a href="#">VRV 315</a>		Backdraft dampers with spring for round ducts