

KOMFORT ERV EC DB 150 L S14

Suspended heat and energy recovery air handling units



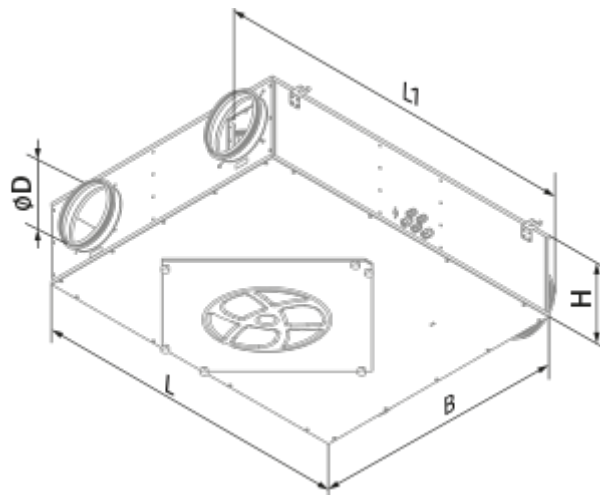
- Maximum airflow: 215
- Sound pressure level LpA at 3 m: 32
- Heat exchanger type: Cross flow
- Extract filter: G4
- Supply filter: G4 + F8 (PM2.5 > 93 %)
- Sound insulation
- Motor type: EC
- Enthalpy heat exchanger
- Bypass: Manual
- Control: Wired control panel
- Casing material: Coated steel
- Humidity sensor: Optional
- CO2 sensor: Optional

	Unit of measurement	KOMFORT ERV EC DB 150 L S14
Connected air duct size	mm	100
Speed	-	1
Phases	-	1
Minimum supply voltage	V	230
Maximum supply voltage	V	230
Power supply frequency	Hz	50/60
Rated power	W	83
Unit current	A	0.7
Maximum airflow	m ³ /h	215
Sound pressure level LpA at 3 m	dB(A)	32
Heat recovery efficiency, max	%	82
Heat exchanger type	-	Cross flow
Heat exchanger material	-	Enthalpy
Weight	kg	26
Extract filter	-	G4
Supply filter	-	G4 + F8 (PM2.5 > 93 %)
Transported air temperature (max)	°C	40
Transported air temperature (min)	°C	-5
Ambient air temperature min	°C	1
Ambient air temperature max	°C	40
Ambient air humidity max	%	60

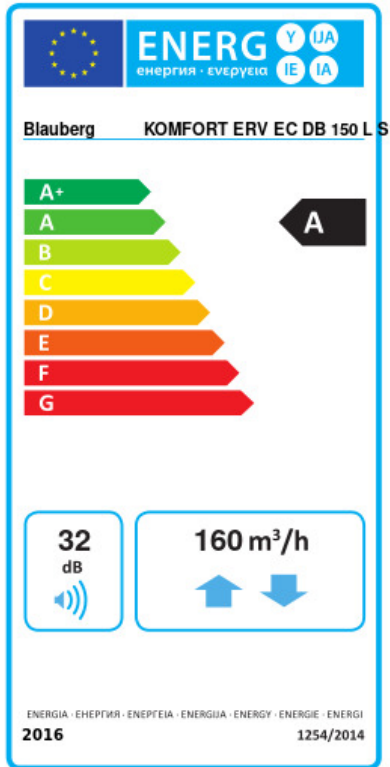
Ingress protection rating	-	IP22
Ingress protection rating of the drive	-	IP44

Dimensions

D	B	H	L	L1
100	704	222	854	987



Ecodesign




Trademark	Blauberg					
Model	KOMFORT ERV EC DB 150 L S14					
Specific energy consumption (SEC) (kWh/(m ² /a))	Cold		Average		Warm	
	75.8	A+	39.3	A	15.7	E
Type of ventilation unit	Bidirectional					
Type of drive installed	Variable speed					
Type of heat recovery system	Recuperative					
Thermal efficiency of heat recovery (%)	75					
Maximum flow rate (m ³ /h)	160					
Electric power input (W)	73					
Reference flow rate (m ³ /s)	0.033					
Reference pressure difference (Pa)	50					
Specific power input (SPI) (W/(m ³ /h))	0.308					
Control typology	Local demand control					
Maximum internal leakage rates (%)	2.7					
Maximum external leakage rates (%)	2.7					
Sound power level (dB(A))	32					
Declared typology	RVU BVU					
The annual electricity consumption (AEC) (kWh/a)	Cold		Average		Warm	
	745		208		163	
The annual heating saved (AHS) (kWh/a)	Cold		Average		Warm	
	8574		4383		1982	

Accessories



Other accessories

Name	Photo	Description
FP 300x220x48 G4		G4 panel filter
FP 300x220x48 F8		

Humidity sensors

Name	Photo	Description
FS2		Humidity sensor

CO2 sensors

Name	Photo	Description
CD-1		CO2 sensors
CD-2		CO2 sensors

For round ducts

Name	Photo	Description
VKA 100		Air dampers for round ducts