

# KOMFORT ERV D 350 R S20

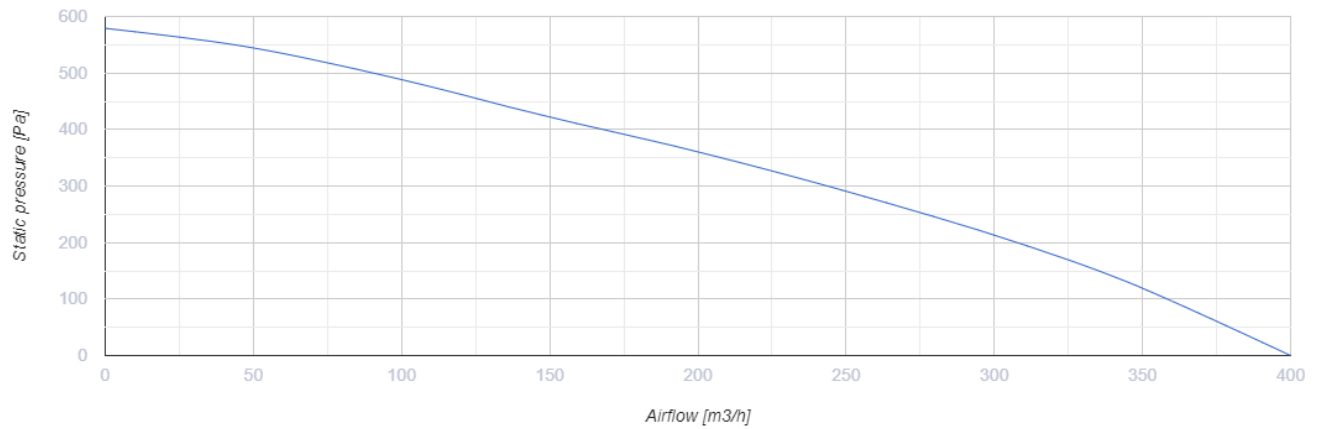
Suspended heat and energy recovery air handling units



- Maximum airflow: 400
- Sound pressure level LpA at 3 m: 57
- Heat exchanger type: Cross flow
- Extract filter: G4
- Supply filter: G4 and F8 (PM2.5 93 %), G4 and F8 (PM2.5 93 %)
- Sound insulation
- Motor type: AC
- Enthalpy heat exchanger
- Control: Speed controller
- Casing material: Coated steel

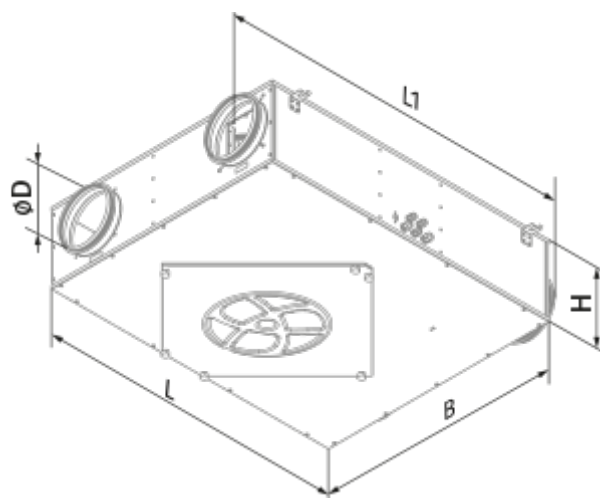
	Unit of measurement	KOMFORT ERV D 350 R S20
Connected air duct size	mm	150
Speed	-	1
Phases	-	1
Minimum supply voltage	V	230
Maximum supply voltage	V	230
Power supply frequency	Hz	50/60
Rated power	W	310
Unit current	A	1.4
Maximum airflow	m <sup>3</sup> /h	400
Sound pressure level LpA at 3 m	dB(A)	57
Heat recovery efficiency, max	%	87
Heat exchanger type	-	Cross flow
Heat exchanger material	-	Enthalpy
Weight	kg	42
Extract filter	-	G4
Supply filter	-	G4 and F8 (PM2.5 93 %), G4 and F8 (PM2.5 93 %)
Transported air temperature (max)	°C	40
Transported air temperature (min)	°C	-5
Ambient air temperature min	°C	1
Ambient air temperature max	°C	40
Ambient air humidity max	%	80

Ingress protection rating	-	IP22
Ingress protection rating of the drive	-	IP44

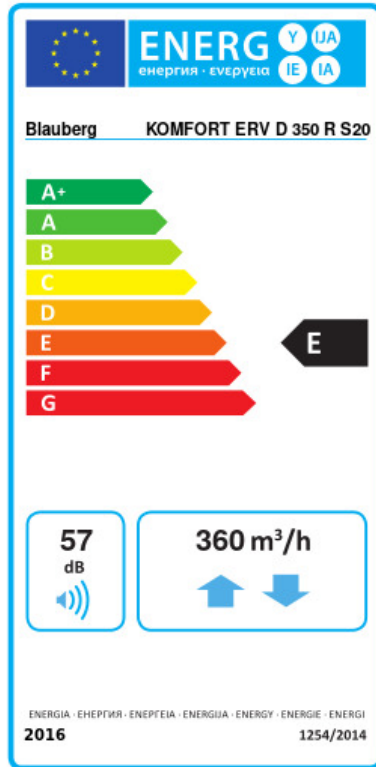


## Dimensions

D	B	H	L	L1
149	754	277	1024	1117




## Ecodesign



Trademark	Blauberg			
Model	KOMFORT ERV D 350 R S20			
Specific energy consumption (SEC) (kWh/(m <sup>2</sup> /a))	Cold	Average	Warm	
	48.3	A+ 14.1	E 8.1	G
Type of ventilation unit	Bidirectional			
Type of drive installed	Variable speed			
Type of heat recovery system	Recuperative			
Thermal efficiency of heat recovery (%)	76			
Maximum flow rate (m <sup>3</sup> /h)	360			
Electric power input (W)	308			
Reference flow rate (m <sup>3</sup> /s)	0.07			
Reference pressure difference (Pa)	50			
Specific power input (SPI) (W/(m <sup>3</sup> /h))	0.856			
Control typology	Manual control			
Maximum internal leakage rates (%)	2.7			
Maximum external leakage rates (%)	2.7			
Sound power level (dB(A))	57			
Declared typology	RVU BVU			
The annual electricity consumption (AEC) (kWh/a)	Cold	Average	Warm	
	1654	1117	1072	
The annual heating saved (AHS) (kWh/a)	Cold	Average	Warm	
	8091	4136	1870	

## Accessories

### Other accessories

Name	Photo	Description
FP 300x270x48 G4		G4 panel filter
FP 300x270x48 F8		