

KOMFORT ERV D 250 L S20

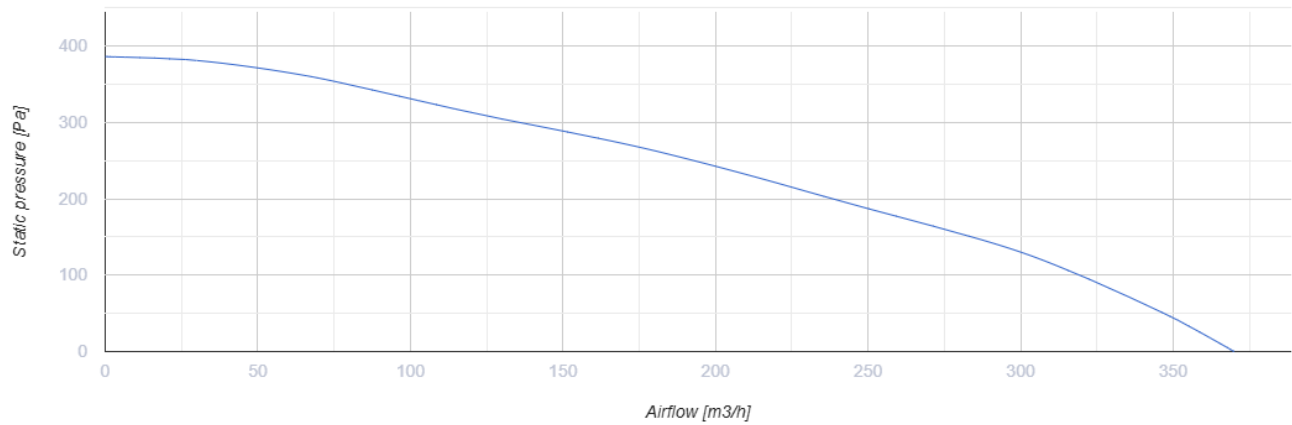
Suspended heat and energy recovery air handling units



- Maximum airflow: 370
- Sound pressure level LpA at 3 m: 52
- Heat exchanger type: Cross flow
- Extract filter: G4
- Supply filter: G4 and F8 (PM2.5 93 %)
- Sound insulation
- Motor type: AC
- Enthalpy heat exchanger
- Control: Speed controller
- Casing material: Coated steel

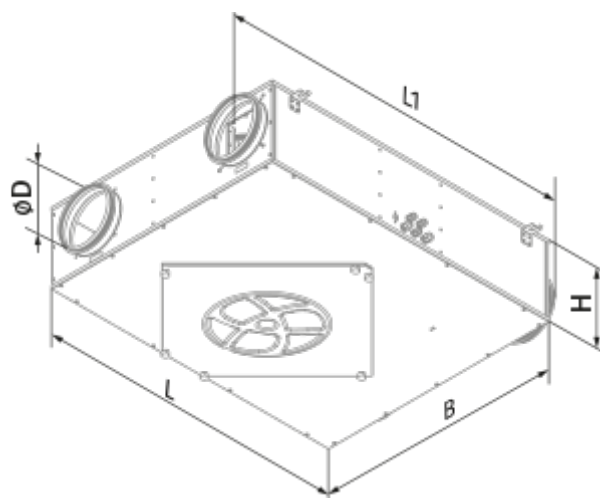
	Unit of measurement	KOMFORT ERV D 250 L S20
Connected air duct size	mm	150
Speed	-	1
Phases	-	1
Minimum supply voltage	V	230
Maximum supply voltage	V	230
Power supply frequency	Hz	50/60
Rated power	W	250
Unit current	A	1.1
Maximum airflow	m ³ /h	370
Sound pressure level LpA at 3 m	dB(A)	52
Heat recovery efficiency, max	%	76
Heat exchanger type	-	Cross flow
Heat exchanger material	-	Enthalpy
Weight	kg	29
Extract filter	-	G4
Supply filter	-	G4 and F8 (PM2.5 93 %)
Transported air temperature (max)	°C	40
Transported air temperature (min)	°C	-5
Ambient air temperature min	°C	1
Ambient air temperature max	°C	40
Ambient air humidity max	%	80

Ingress protection rating	-	IP22
Ingress protection rating of the drive	-	IP44

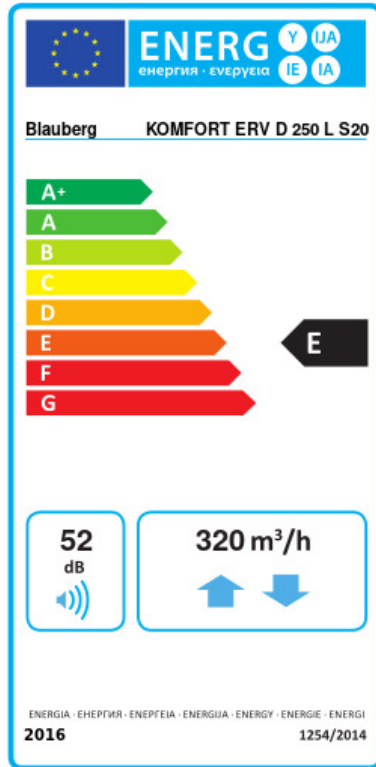


Dimensions

D	B	H	L	L1
149	704	227	854	947



Ecodesign



Trademark	Blauberg			
Model	KOMFORT ERV D 250 L S20			
Specific energy consumption (SEC) (kWh/(m ² /a))	Cold	Average	Warm	
	47.9	A+	15.5	E 5.6 G
Type of ventilation unit	Bidirectional			
Type of drive installed	Variable speed			
Type of heat recovery system	Recuperative			
Thermal efficiency of heat recovery (%)	70			
Maximum flow rate (m ³ /h)	320			
Electric power input (W)	240			
Reference flow rate (m ³ /s)	0.062			
Reference pressure difference (Pa)	50			
Specific power input (SPI) (W/(m ³ /h))	0.75			
Control typology	Manual control			
Maximum internal leakage rates (%)	2.7			
Maximum external leakage rates (%)	2.7			
Declared typology	RVU BVU			
Sound power level (dB(A))	52			
The annual electricity consumption (AEC) (kWh/a)	Cold	Average	Warm	
	1522	985	940	
The annual heating saved (AHS) (kWh/a)	Cold	Average	Warm	
	7094	3626	1640	

Accessories

Other accessories

Name	Photo	Description
FP 300x220x48 G4		G4 panel filter
FP 300x220x48 F8		