

KOMFORT ERV D 150 R S20

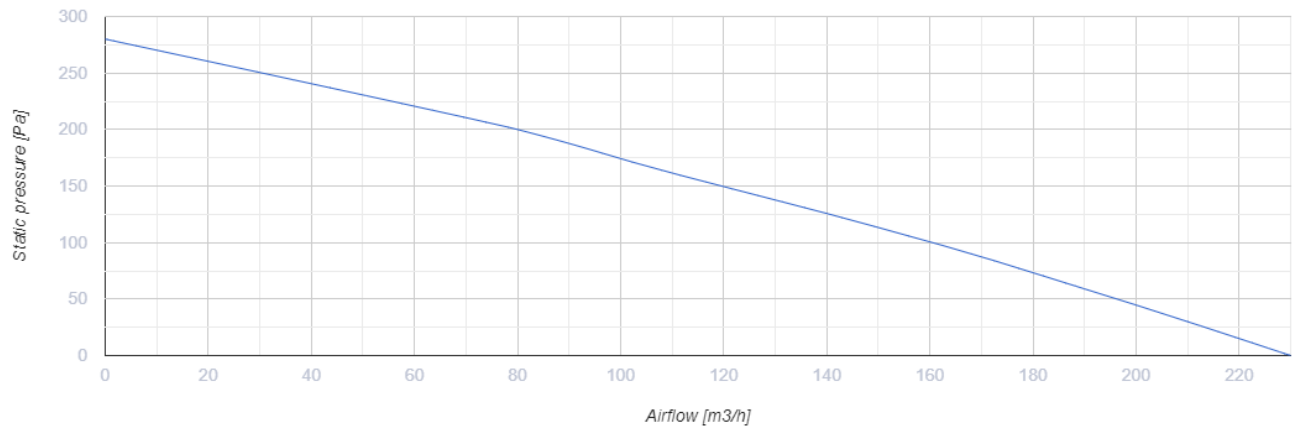
Suspended heat and energy recovery air handling units



- Maximum airflow: 230
- Sound pressure level LpA at 3 m: 49
- Heat exchanger type: Cross flow
- Extract filter: G4
- Supply filter: G4 and F8 (PM2.5 93 %), G4 and F8 (PM2.5 93 %)
- Sound insulation
- Motor type: AC
- Enthalpy heat exchanger
- Control: Speed controller
- Casing material: Coated steel

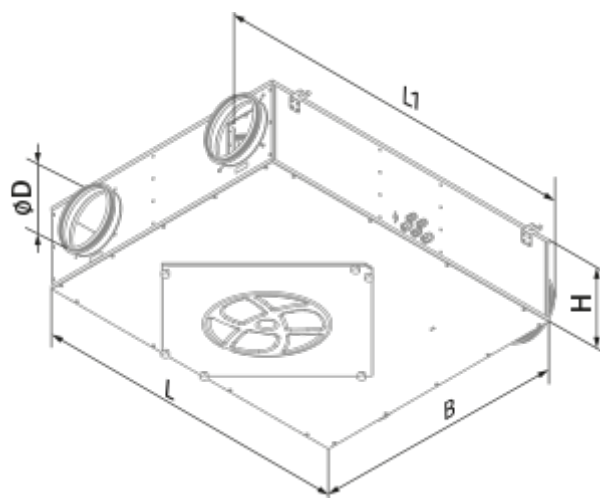
	Unit of measurement	KOMFORT ERV D 150 R S20
Connected air duct size	mm	100
Speed	-	1
Phases	-	1
Minimum supply voltage	V	230
Maximum supply voltage	V	230
Power supply frequency	Hz	50/60
Rated power	W	125
Unit current	A	0.6
Maximum airflow	m ³ /h	230
Sound pressure level LpA at 3 m	dB(A)	49
Heat recovery efficiency, max	%	87
Heat exchanger type	-	Cross flow
Heat exchanger material	-	Enthalpy
Weight	kg	26
Extract filter	-	G4
Supply filter	-	G4 and F8 (PM2.5 93 %), G4 and F8 (PM2.5 93 %)
Transported air temperature (max)	°C	40
Transported air temperature (min)	°C	-5
Ambient air temperature min	°C	1
Ambient air temperature max	°C	40
Ambient air humidity max	%	80

Ingress protection rating	-	IP22
Ingress protection rating of the drive	-	IP44

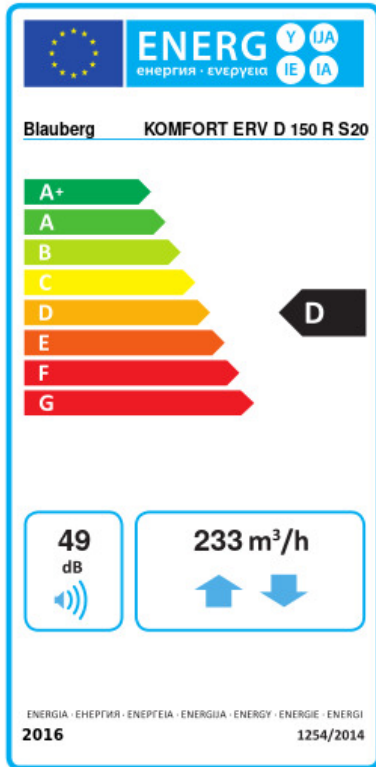


Dimensions

D	B	H	L	L1
99	704	227	947	854



Ecodesign



Trademark	Blauberg					
Model	KOMFORT ERV D 150 R S20					
Specific energy consumption (SEC) (kWh/(m ² /a))	Cold		Average		Warm	
	55.8	A+	20.7	D	2	G
Type of ventilation unit	Bidirectional					
Type of drive installed	Variable speed					
Type of heat recovery system	Recuperative					
Thermal efficiency of heat recovery (%)	79					
Maximum flow rate (m ³ /h)	233					
Electric power input (W)	118					
Reference flow rate (m ³ /s)	0.033					
Reference pressure difference (Pa)	50					
Specific power input (SPI) (W/(m ³ /h))	0.675					
Control typology	Manual control					
Maximum internal leakage rates (%)	2.7					
Maximum external leakage rates (%)	2.7					
Sound power level (dB(A))	49					
Declared typology	RVU BVU					
The annual electricity consumption (AEC) (kWh/a)	Cold		Average		Warm	
	1428		891		846	
The annual heating saved (AHS) (kWh/a)	Cold		Average		Warm	
	8278		4231		1913	

Accessories

Other accessories

Name	Photo	Description
FP 300x220x48 F8		
FP 300x220x48 G4		G4 panel filter