

# KOMFORT ERV D 100 L S3

Suspended heat and energy recovery air handling units



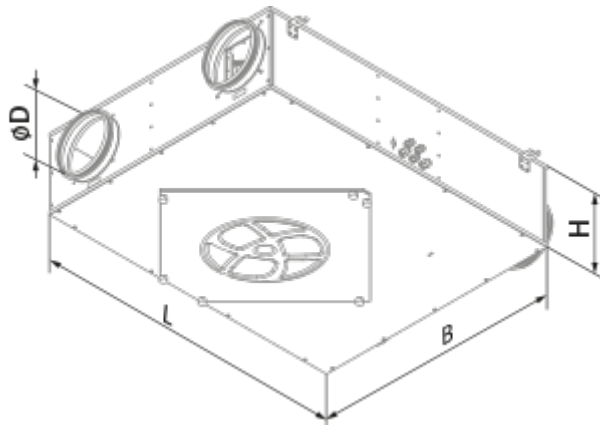
- Maximum airflow: 160
- Sound pressure level LpA at 3 m: 47
- Heat exchanger type: Cross flow
- Extract filter: G4
- Supply filter: G4 and F8 (PM2.5 > 93 %)
- Sound insulation
- Motor type: AC
- Enthalpy heat exchanger
- Control: Speed switch
- Casing material: Coated steel

	Unit of measurement	KOMFORT ERV D 100 L S3
Connected air duct size	mm	100
Speed	-	1
Phases	-	1
Minimum supply voltage	V	230
Maximum supply voltage	V	230
Power supply frequency	Hz	50
Rated power	W	76
Unit current	A	0.33
Maximum airflow	m <sup>3</sup> /h	160
Sound pressure level LpA at 3 m	dB(A)	47
Heat recovery efficiency, max	%	87
Heat exchanger type	-	Cross flow
Heat exchanger material	-	Enthalpy
Weight	kg	17
Extract filter	-	G4
Supply filter	-	G4 and F8 (PM2.5 > 93 %)
Transported air temperature (max)	°C	40
Transported air temperature (min)	°C	-15
Ambient air temperature min	°C	0
Ambient air temperature max	°C	40
Ambient air humidity max	%	60

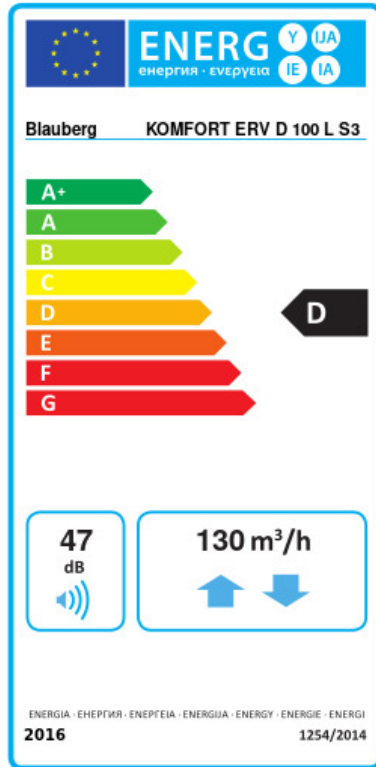
Ingress protection rating	-	IP22
Ingress protection rating of the drive	-	IP44

## Dimensions

D	B	H	L
100	481	203	600



## Ecodesign



Trademark	Blauberg		
Model	KOMFORT ERV D 100 L S3		
Specific energy consumption (SEC) (kWh/(m <sup>2</sup> /a))	Cold	Average	Warm
	57	A+ 21.9	D 0.8 G
Type of ventilation unit	Bidirectional		
Type of drive installed	Variable speed		
Type of heat recovery system	Recuperative		
Thermal efficiency of heat recovery (%)	79		
Maximum flow rate (m <sup>3</sup> /h)	130		
Electric power input (W)	73		
Reference flow rate (m <sup>3</sup> /s)	0.031		
Reference pressure difference (Pa)	50		
Specific power input (SPI) (W/(m <sup>3</sup> /h))	0.636		
Control typology	Manual control		
Maximum internal leakage rates (%)	2.7		
Maximum external leakage rates (%)	2.7		
Declared typology	RVU BVU		
Sound power level (dB(A))	47		
The annual electricity consumption (AEC) (kWh/a)	Cold	Average	Warm
	1379	842	797
The annual heating saved (AHS) (kWh/a)	Cold	Average	Warm
	8278	4231	1913

## Accessories

### Other accessories

Name	Photo	Description
FP 200x191x20 G4		G4 panel filter
FP 200x191x20 F8		

SB C4 300/220