



# Jet Hi-Tech 100 H

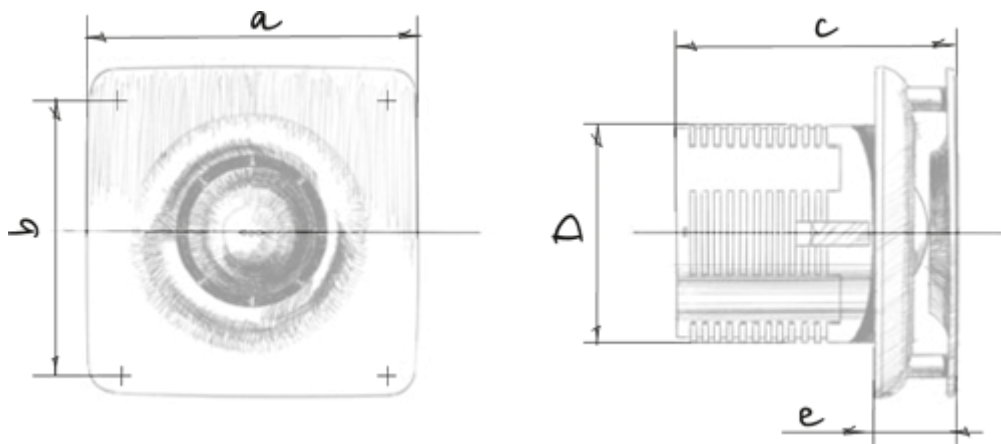
Extract fans

- Maximum airflow: 95
- Sound pressure level LpA at 3 m: 34
- Motor type: AC
- Casing material: Plastic
- Humidity sensor
- Timer: Turn off timer

|                                 | Unit of measurement | Jet Hi-Tech 100 H |
|---------------------------------|---------------------|-------------------|
| Connected air duct size         | mm                  | 100               |
| Speed                           | -                   | 1                 |
| Minimum supply voltage          | V                   | 220               |
| Maximum supply voltage          | V                   | 240               |
| Power supply frequency          | Hz                  | 50                |
| Rated power                     | W                   | 14                |
| Unit current                    | A                   | 0.085             |
| Maximum airflow                 | m <sup>3</sup> /h   | 95                |
| Sound pressure level LpA at 3 m | dB(A)               | 34                |
| Ambient air temperature min     | °C                  | 1                 |
| Ambient air temperature max     | °C                  | 40                |
| Ingress protection rating       | -                   | IP24              |


## Dimensions

| a   | b   | c   | ∅ d | e  |
|-----|-----|-----|-----|----|
| 150 | 122 | 125 | 98  | 36 |



## Accessories

### Other accessories

| Name                     | Photo  | Description                |
|--------------------------|--|----------------------------|
| <a href="#">CDT E1.8</a> |  | Thyristor speed controller |