



Jet Hi-Tech 100

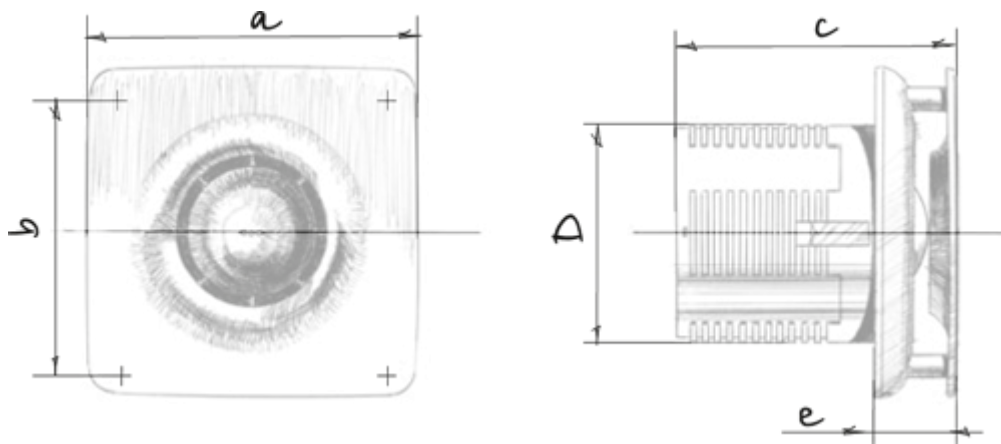
Extract fans

- Maximum airflow: 95
- Sound pressure level LpA at 3 m: 34
- Motor type: AC
- Casing material: Plastic

	Unit of measurement	Jet Hi-Tech 100
Connected air duct size	mm	100
Speed	-	1
Minimum supply voltage	V	220
Maximum supply voltage	V	240
Power supply frequency	Hz	50
Rated power	W	14
Unit current	A	0.085
Maximum airflow	m ³ /h	95
Sound pressure level LpA at 3 m	dB(A)	34
Ambient air temperature min	°C	1
Ambient air temperature max	°C	40
Ingress protection rating	-	IP24


Dimensions

a	b	c	∅ d	e
150	122	125	98	36



Accessories

Thyristor speed controllers

Name	Photo	Description
CDT E1.8		Thyristor speed controller