



# Jet 100

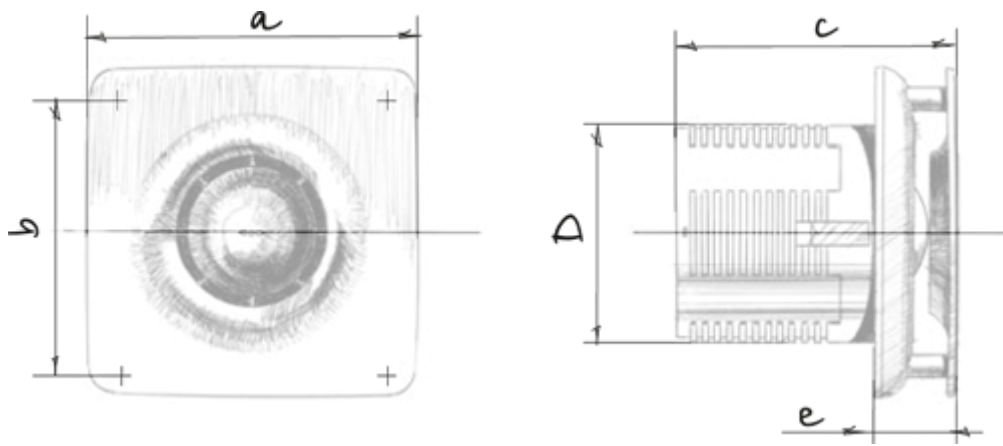
Extract fans

- Maximum airflow: 95
- Sound pressure level LpA at 3 m: 34
- Motor type: AC
- Casing material: Plastic

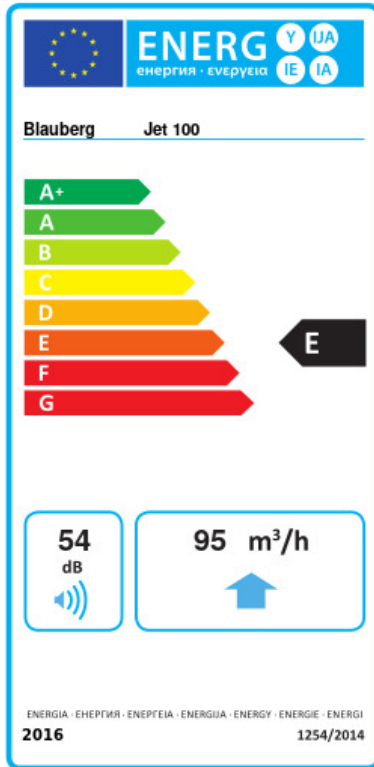
	Unit of measurement	Jet 100
Connected air duct size	mm	100
Speed	-	1
Minimum supply voltage	V	220
Maximum supply voltage	V	240
Power supply frequency	Hz	50
Rated power	W	14
Unit current	A	0.085
Maximum airflow	m <sup>3</sup> /h	95
Sound pressure level LpA at 3 m	dB(A)	34
Ambient air temperature min	°C	1
Ambient air temperature max	°C	40
Ingress protection rating	-	IP24

## Dimensions

a	b	c	∅ d	e
150	122	125	98	36



## Ecodesign



Trademark	Blaubeurg		
Model	Jet 100		
Specific energy consumption (SEC) (kWh/(m²/a))	Cold	Average	Warm
	-31 B	-14 E	-5 F
Type of ventilation unit	Unidirectional		
Type of drive installed	Multi-speed		
Type of heat recovery system	None		
Maximum flow rate (m³/h)	95		
Electric power input (W)	14		
Reference flow rate (m³/s)	0.018		
Specific power input (SPI) (W/(m³/h))	0.095		
Control typology	Manual control		
Maximum external leakage rates (%)	2.7		
Declared typology	RVU UVU		
Sound power level (dB(A))	54		
The annual electricity consumption (AEC) (kWh/a)	Cold	Average	Warm
	100	100	100
The annual heating saved (AHS) (kWh/a)	Cold	Average	Warm
	3400	1700	800

## Accessories

### Thyristor speed controllers

Name	Photo	Description
<a href="#">CDT E1.8</a>		Thyristor speed controller