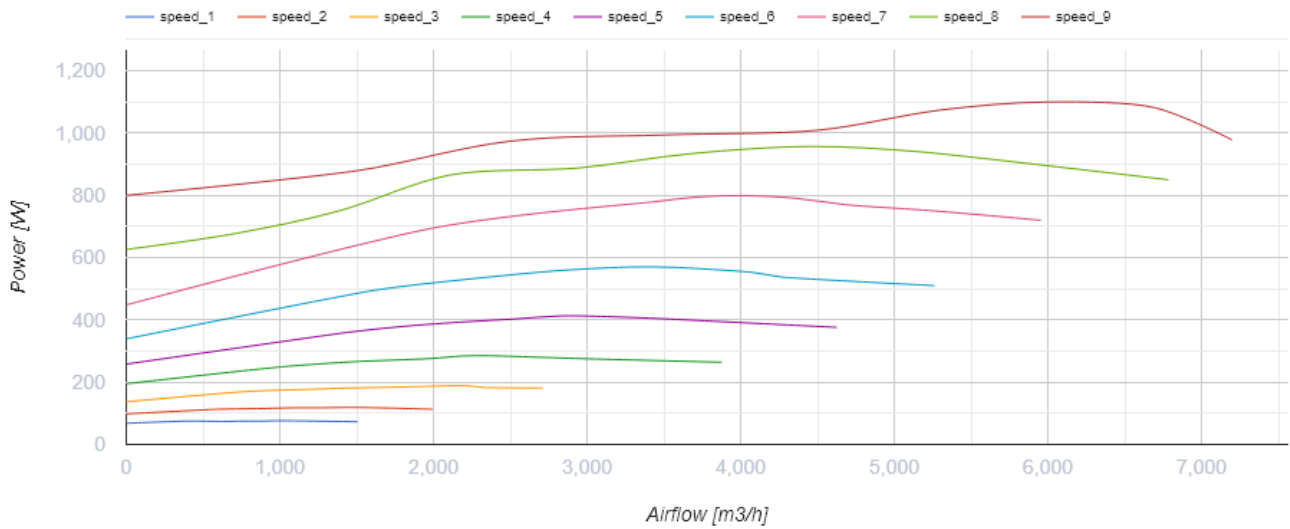
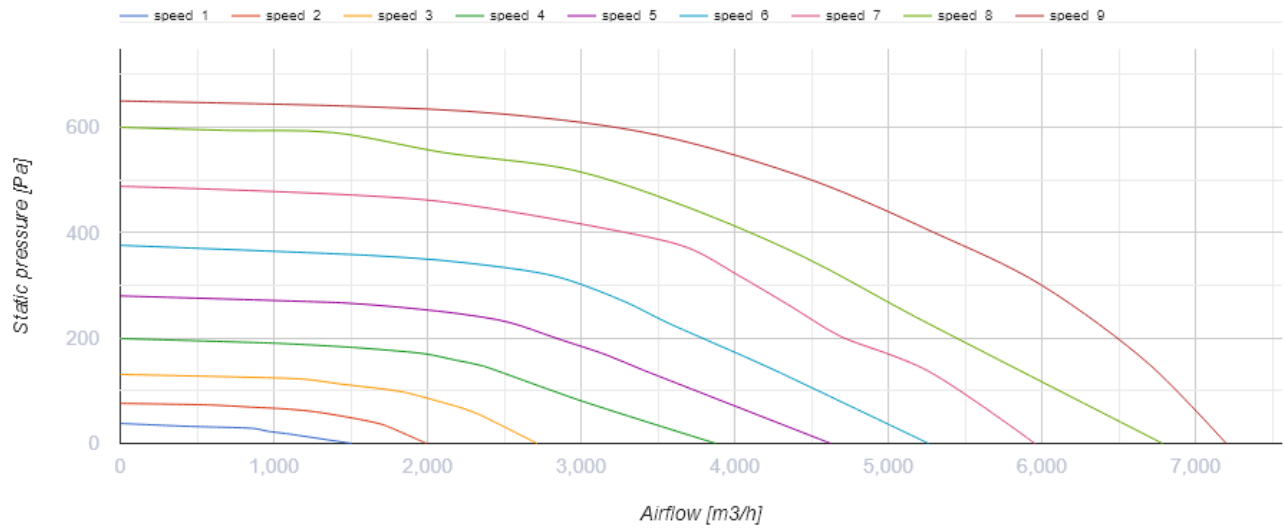


## Iso-VK EC 450 E

Kitchen sound-insulated inline centrifugal fans with EC motors

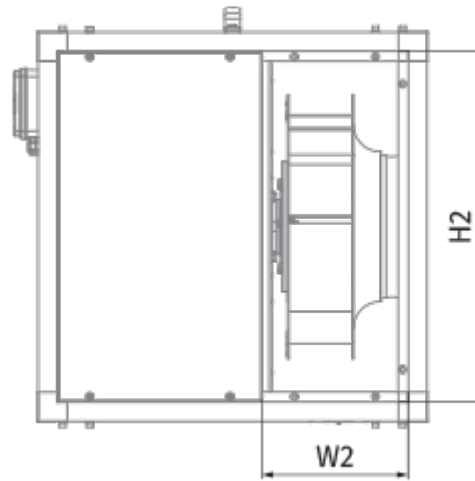
- Maximum airflow: 7200
- Sound pressure level LpA at 3 m: 62
- Fire resistance class: 120°C within 60 min
- Sound insulation
- Motor type: EC
- Impeller type: Centrifugal impeller with backward curved blades
- Casing material: Aluzinc
- Installation in any position

	Unit of measurement	Iso-VK EC 450 E
Connected air duct size	mm	450
Speed	-	1
Phases	-	1
Minimum supply voltage	V	230
Maximum supply voltage	V	230
Power supply frequency	Hz	50/60
Rated power	W	1100
Unit current	A	7.9
Maximum airflow	m <sup>3</sup> /h	7200
rotation speed at 50hz	-	1500
Sound pressure level LpA at 3 m	dB(A)	62
Weight	kg	69.5
Transported air temperature (max)	°C	120
Transported air temperature (min)	°C	-25
Ingress protection rating	-	IPX4




## Dimensions

H	H1	H2	L	L1	W	W1	W2
700	738	640	700	738	700	738	282



## Accessories

### EC motors regulators

Name	Photo	Description
<a href="#">CDT E/0-10</a>		Speed control for EC motors