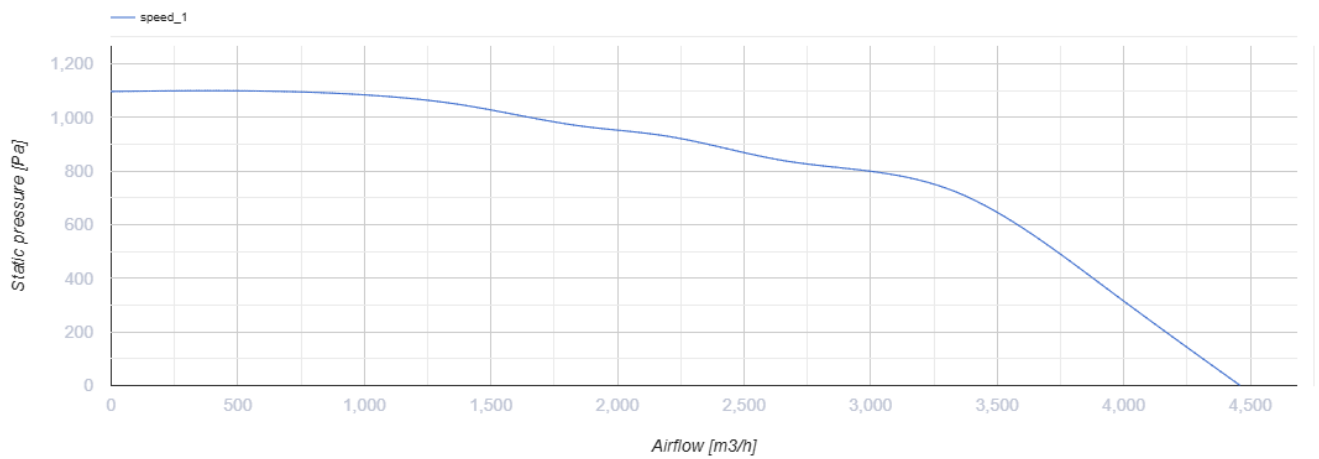


## Iso-VK EC 315 E

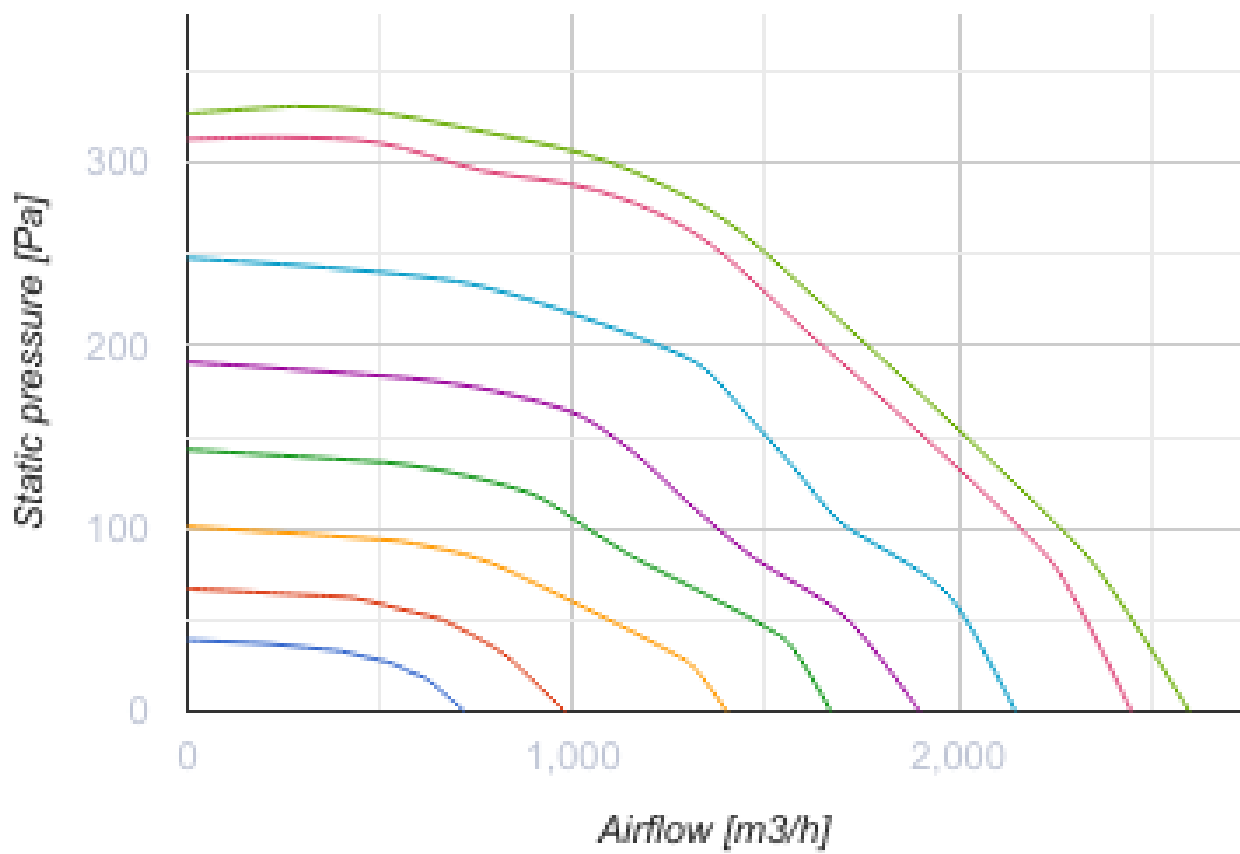
Kitchen inline fans in sound-insulated casings with operational temperature of 120 °C with EC-motors

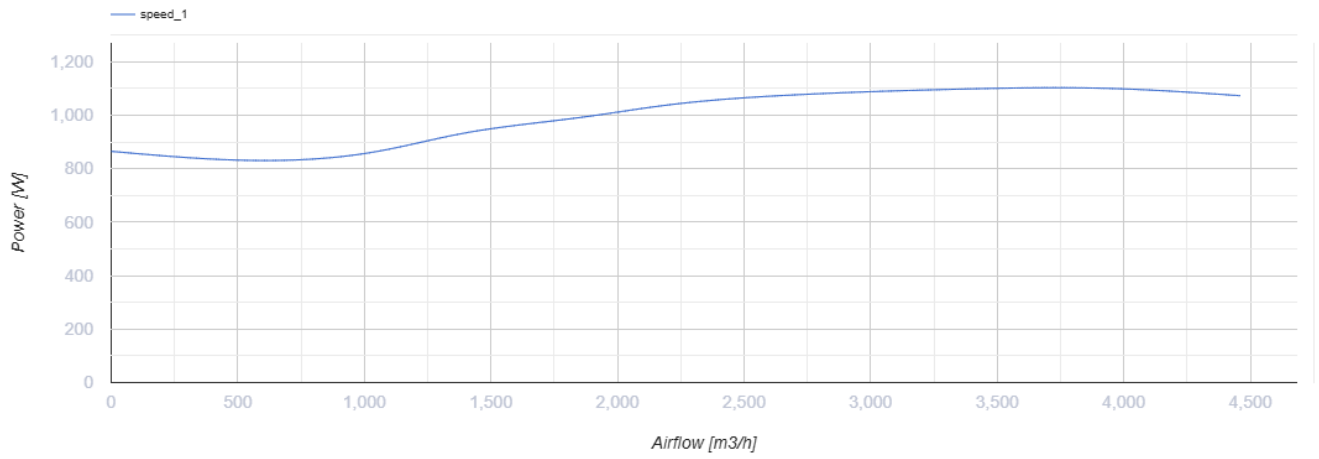
- Maximum airflow: 2600
- Sound pressure level LpA at 3 m: 57
- Fire resistance class: 120°C within 60 min
- Sound insulation
- Motor type: EC
- Impeller type: Centrifugal impeller with backward curved blades
- Casing material: Aluzinc
- Installation in any position

	Unit of measurement	Iso-VK EC 315 E
Connected air duct size	mm	315
Speed	-	1
Phases	-	1
Minimum supply voltage	V	230
Maximum supply voltage	V	230
Power supply frequency	Hz	50/60
Rated power	W	550
Unit current	A	4.9
Maximum airflow	m <sup>3</sup> /h	2600
rotation speed at 50hz	-	1500
Sound pressure level LpA at 3 m	dB(A)	57
Weight	kg	38
Transported air temperature (max)	°C	120
Transported air temperature (min)	°C	-25
Ingress protection rating	-	IPX4



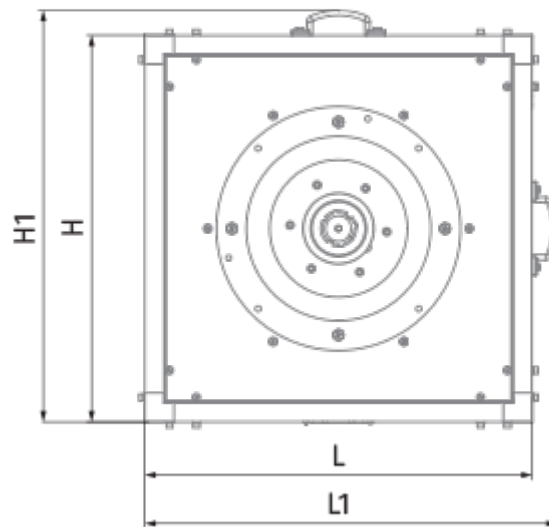
- speed\_1
- speed\_2
- speed\_3
- speed\_4
- speed\_5
- speed\_6
- speed\_7
- speed\_8

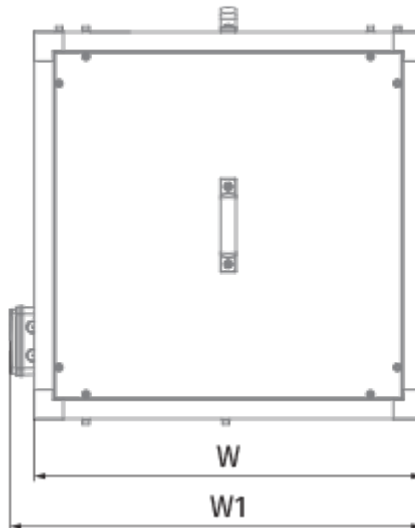
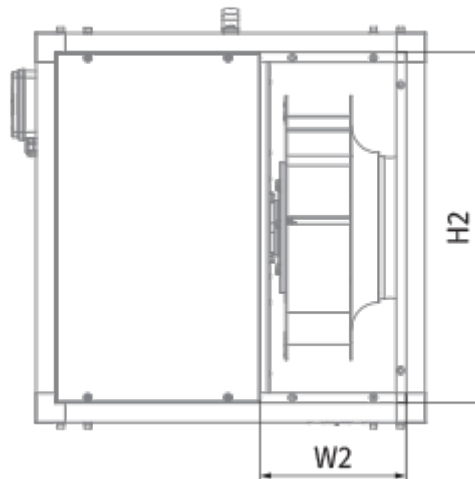




## Dimensions


H	H1	H2	L	L1	W	W1	W2
500	538	440	500	538	500	538	200





## Accessories

### Other accessories

Name	Photo	Description
<a href="#">CDT E/0-10</a>		Speed control for EC motors