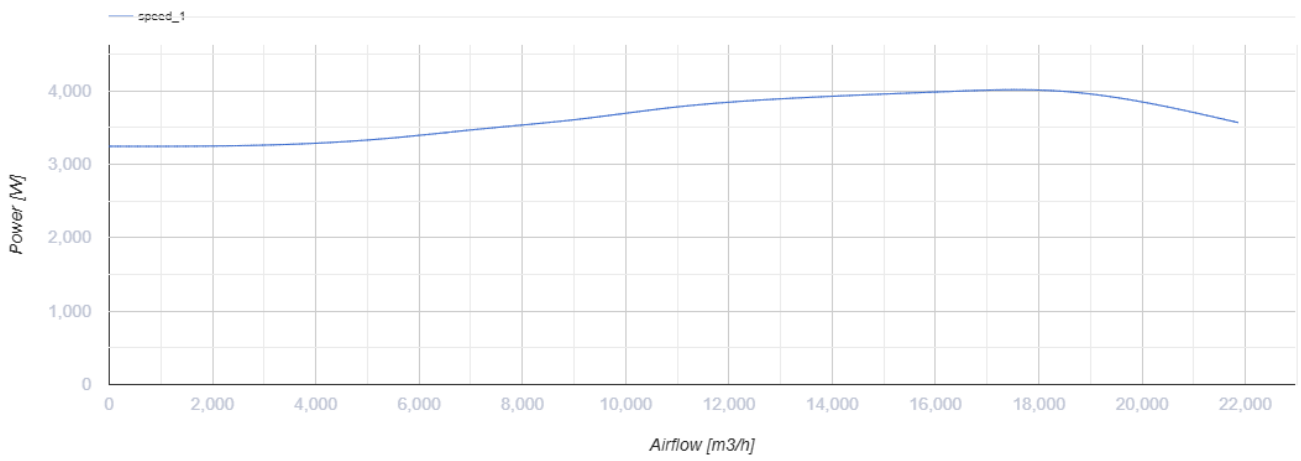
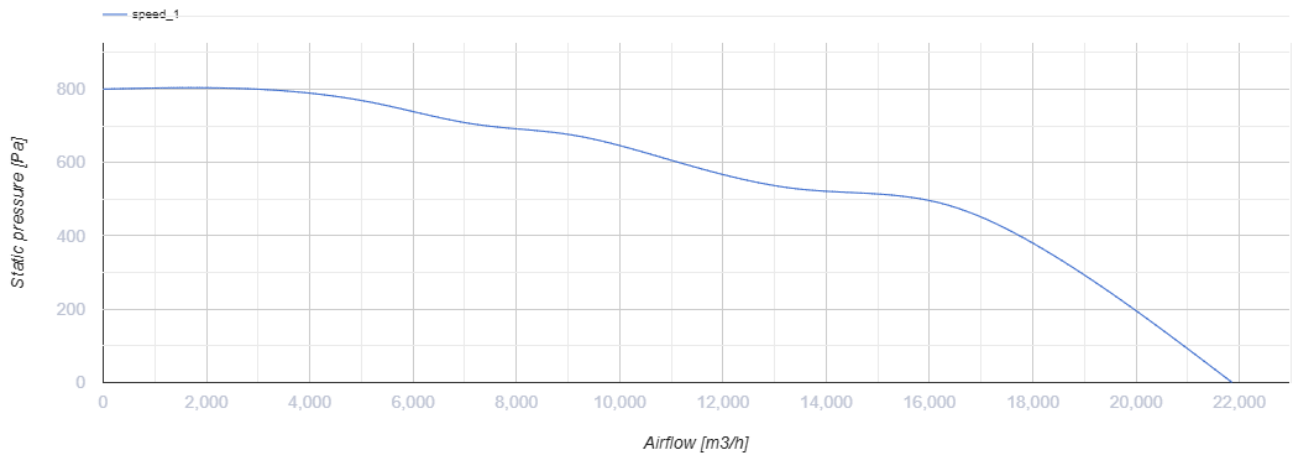


Iso-VK 800 6D

Kitchen sound-insulated inline centrifugal fans with AC motors

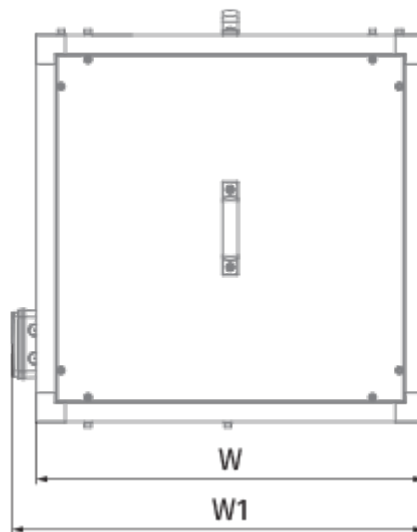
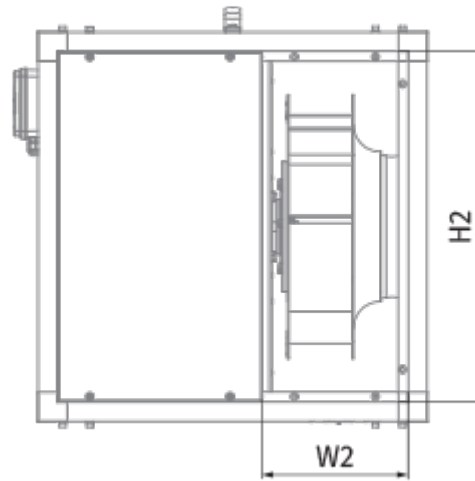
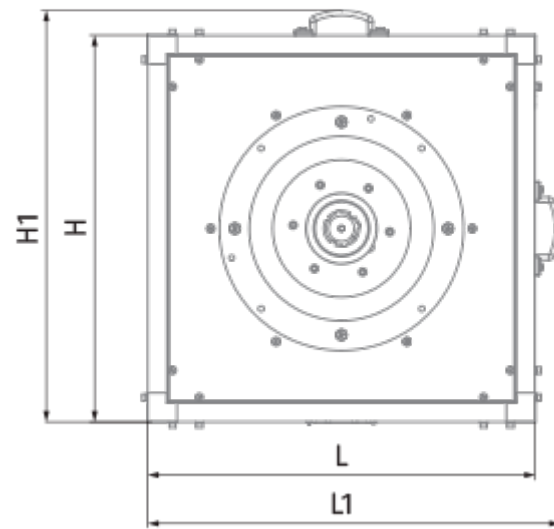
- Maximum airflow: 21860
- Sound pressure level LpA at 3 m: 62
- Sound insulation
- Motor type: AC
- Impeller type: Centrifugal impeller with backward curved blades
- Casing material: Aluzinc
- Installation in any position

	Unit of measurement	Iso-VK 800 6D
Connected air duct size	mm	800
Speed	-	1
Phases	-	3
Minimum supply voltage	V	400
Maximum supply voltage	V	400
Power supply frequency	Hz	50
Rated power	W	4000
Unit current	A	8.7
Maximum airflow	m ³ /h	21860
rotation speed at 50hz	-	965
Sound pressure level LpA at 3 m	dB(A)	62
Weight	kg	275
Transported air temperature (max)	°C	120
Transported air temperature (min)	°C	-25
Ingress protection rating	-	IPX4




Dimensions

H	H1	H2	L	L1	W	W1	W2
1175	1214	1115	1175	1252	1175	1212	505



Accessories

Thyristor speed controllers

Name	Photo	Description
CDT E1.8	 A photograph of the CDT E1.8 thyristor speed controller, showing a white rectangular unit with a circular dial and a small square component below it.	Thyristor speed controller