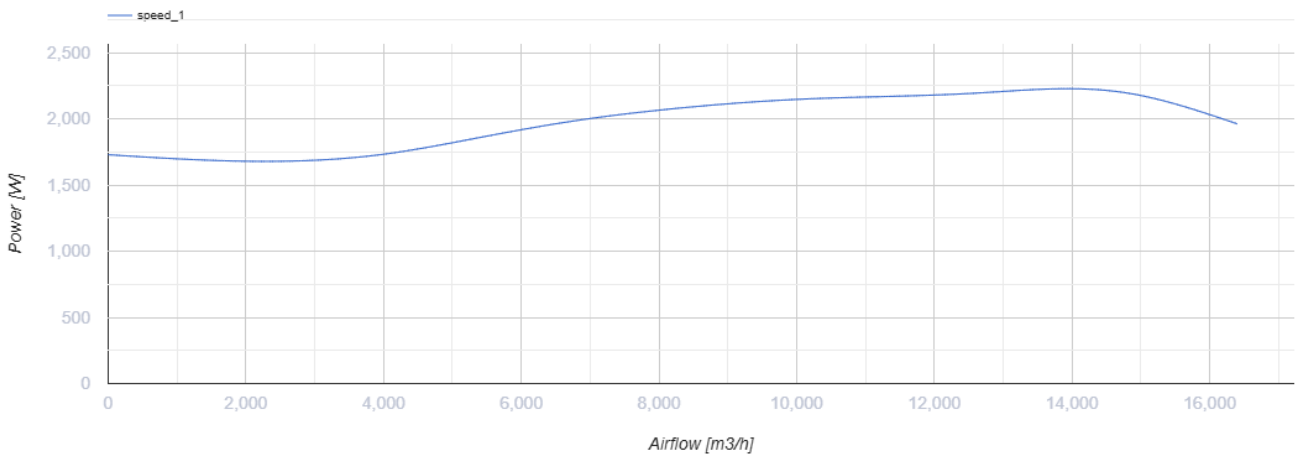
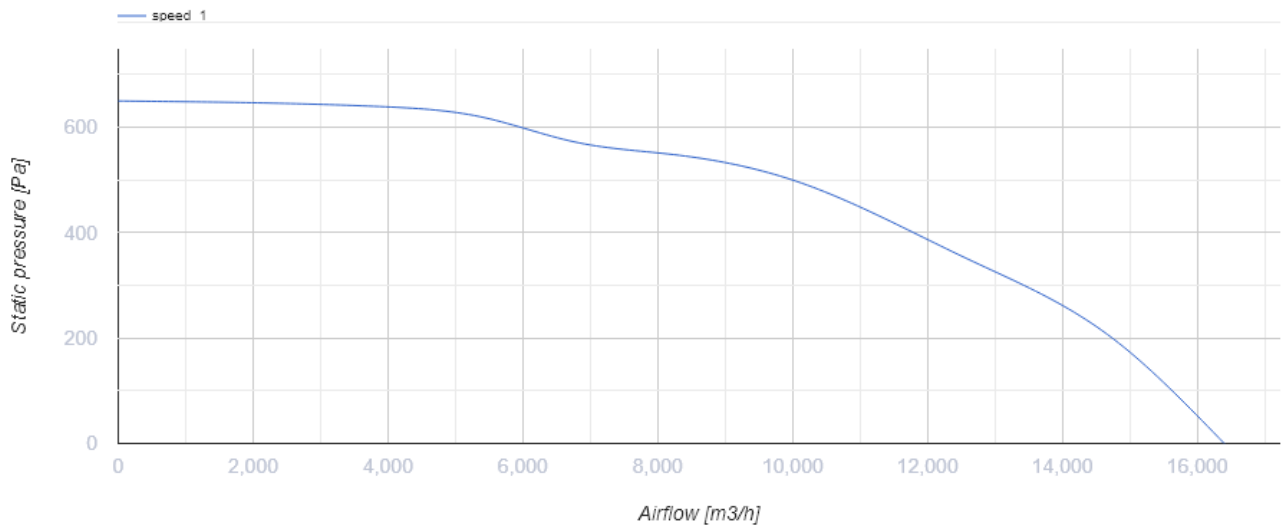


Iso-VK 710 6D

Kitchen inline fans in sound-insulated casings with operational temperature of 120 °C

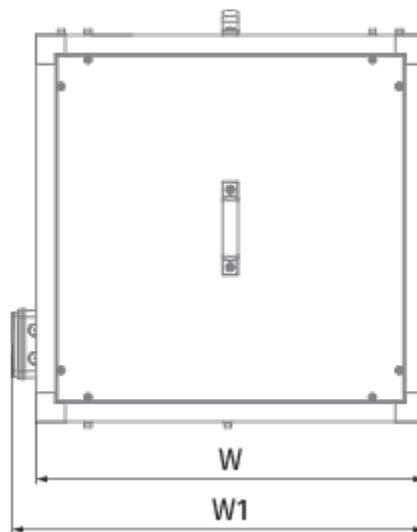
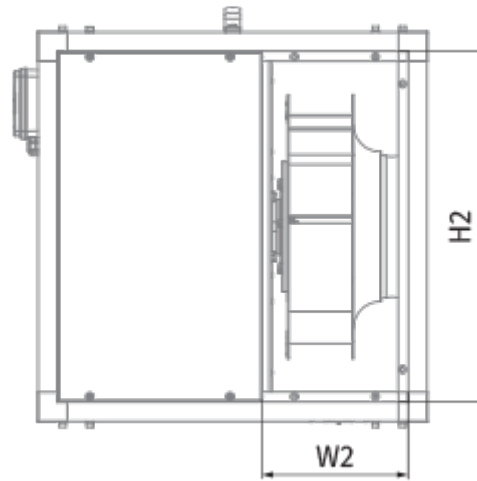
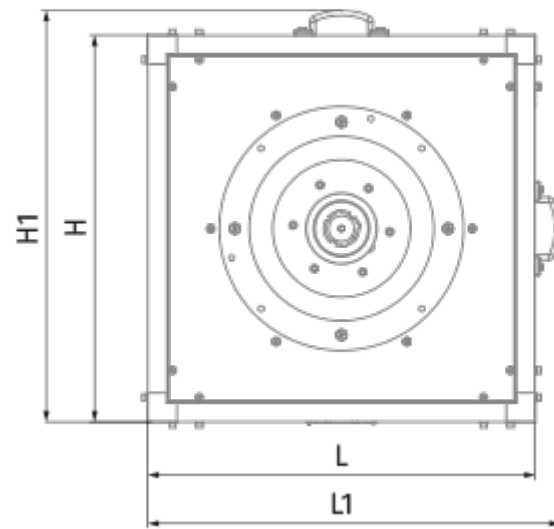
- Maximum airflow: 16400
- Sound pressure level LpA at 3 m: 57
- Sound insulation
- Motor type: AC
- Impeller type: Centrifugal impeller with backward curved blades
- Casing material: Aluzinc
- Installation in any position

	Unit of measurement	Iso-VK 710 6D
Connected air duct size	mm	710
Speed	-	1
Phases	-	3
Minimum supply voltage	V	400
Maximum supply voltage	V	400
Power supply frequency	Hz	50
Rated power	W	2200
Unit current	A	5.1
Maximum airflow	m ³ /h	16400
rotation speed at 50hz	-	970
Sound pressure level LpA at 3 m	dB(A)	57
Weight	kg	210
Transported air temperature (max)	°C	120
Transported air temperature (min)	°C	-25
Ingress protection rating	-	IPX4




Dimensions

H	H1	H2	L	L1	W	W1	W2
1075	1114	1015	1075	1152	1075	1112	455



Accessories

Other accessories

Name	Photo	Description
CDT E1.8		Thyristor speed controller