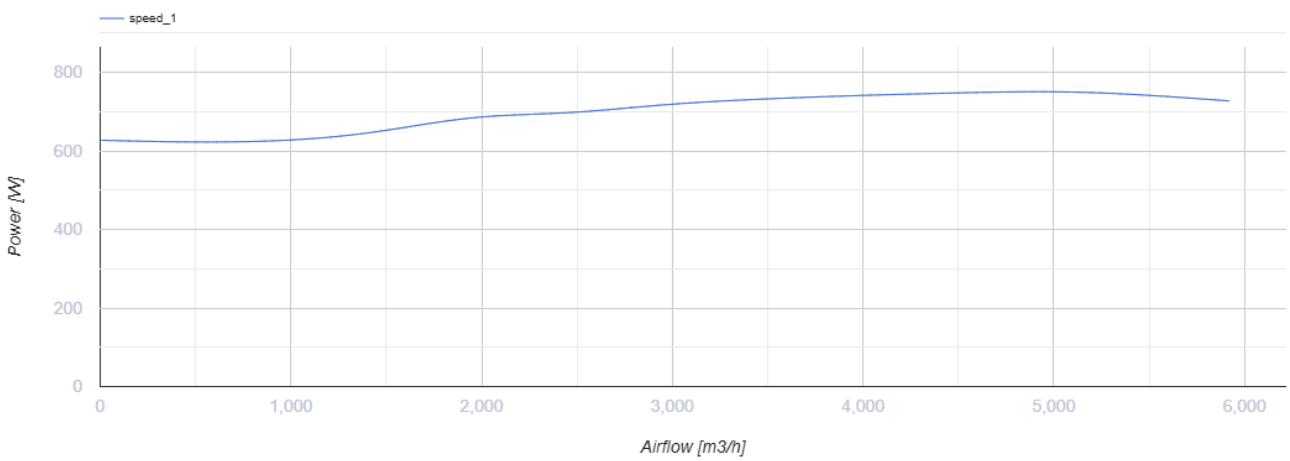
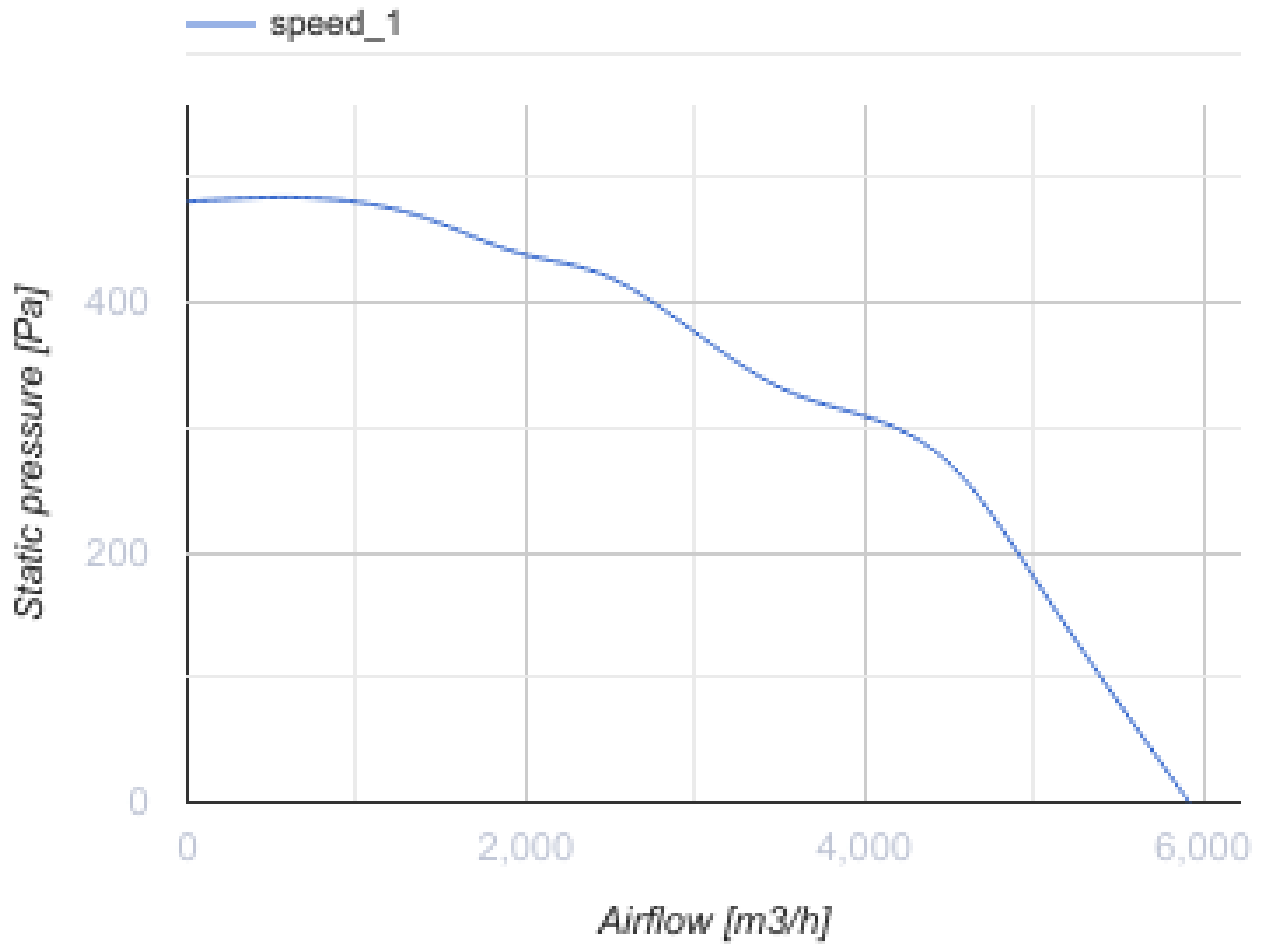


Iso-VK 450 4E

Kitchen inline fans in sound-insulated casings with operational temperature of 120 °C

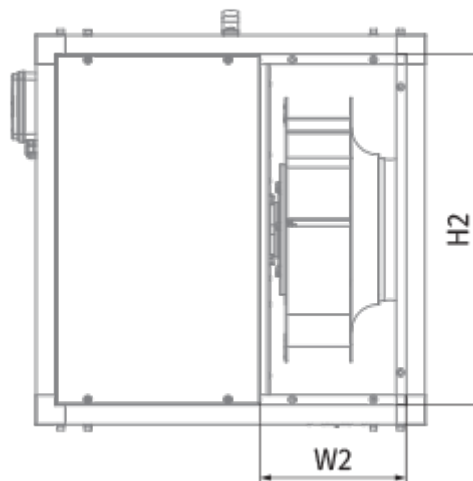
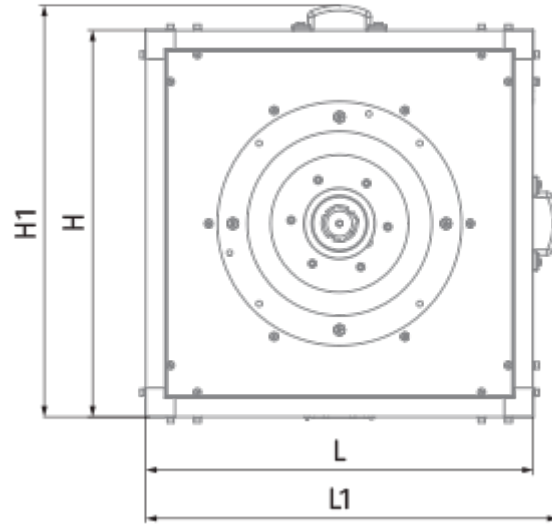
- Maximum airflow: 5920
- Sound pressure level LpA at 3 m: 54
- Sound insulation
- Motor type: AC
- Impeller type: Centrifugal impeller with backward curved blades
- Casing material: Aluzinc
- Installation in any position

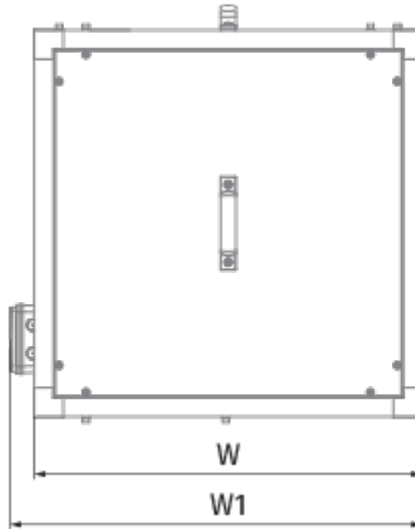
	Unit of measurement	Iso-VK 450 4E
Connected air duct size	mm	450
Speed	-	1
Phases	-	1
Minimum supply voltage	V	230
Maximum supply voltage	V	230
Power supply frequency	Hz	50
Rated power	W	750
Unit current	A	5.6
Maximum airflow	m ³ /h	5920
rotation speed at 50hz	-	1435
Sound pressure level LpA at 3 m	dB(A)	54
Weight	kg	71.8
Transported air temperature (max)	°C	120
Transported air temperature (min)	°C	-25
Ingress protection rating	-	IPX4



Dimensions


H	H1	H2	L	L1	W	W1	W2
700	738	640	700	738	700	738	282





Accessories

Other accessories

Name	Photo	Description
CDT E1.8		Thyristor speed controller