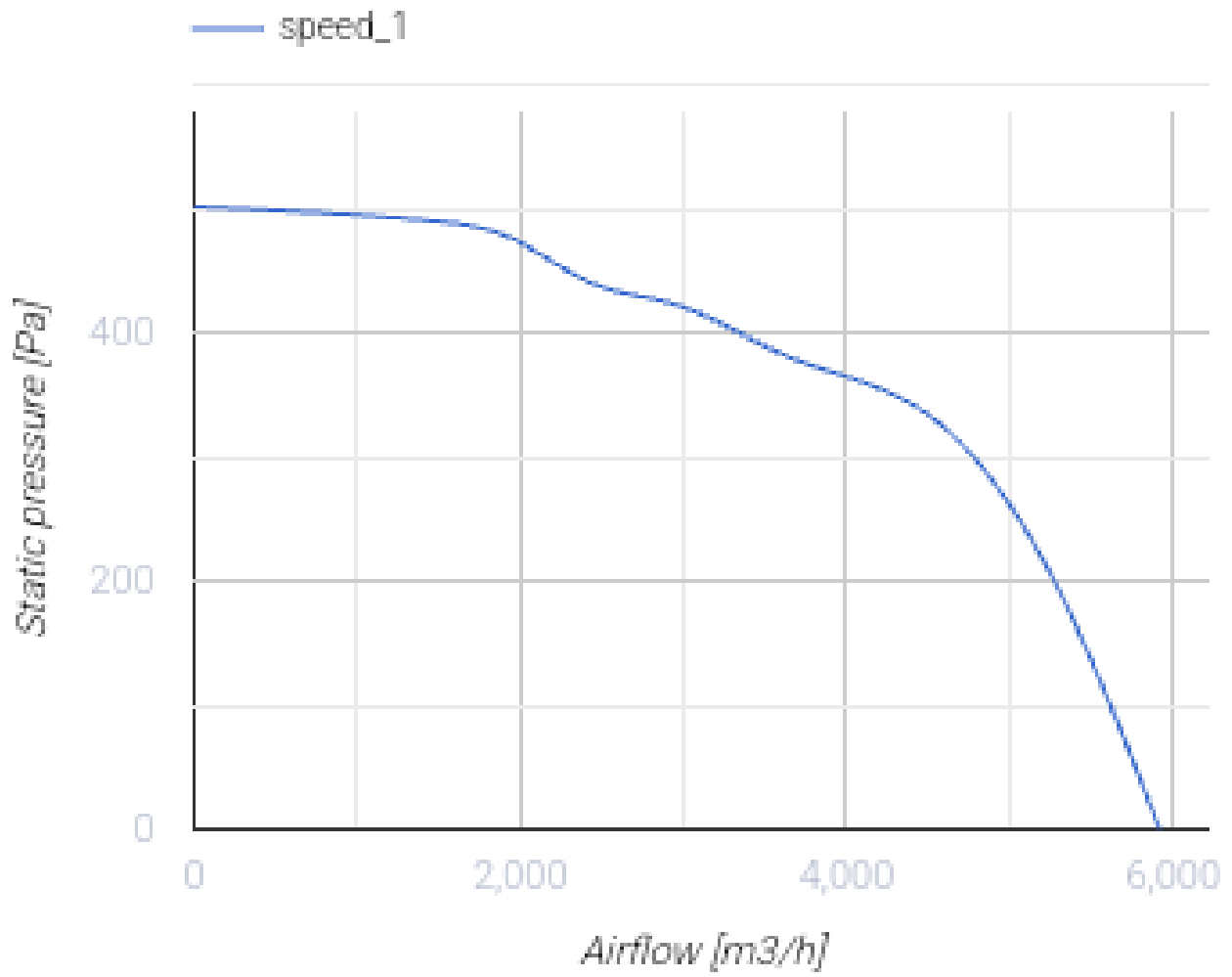


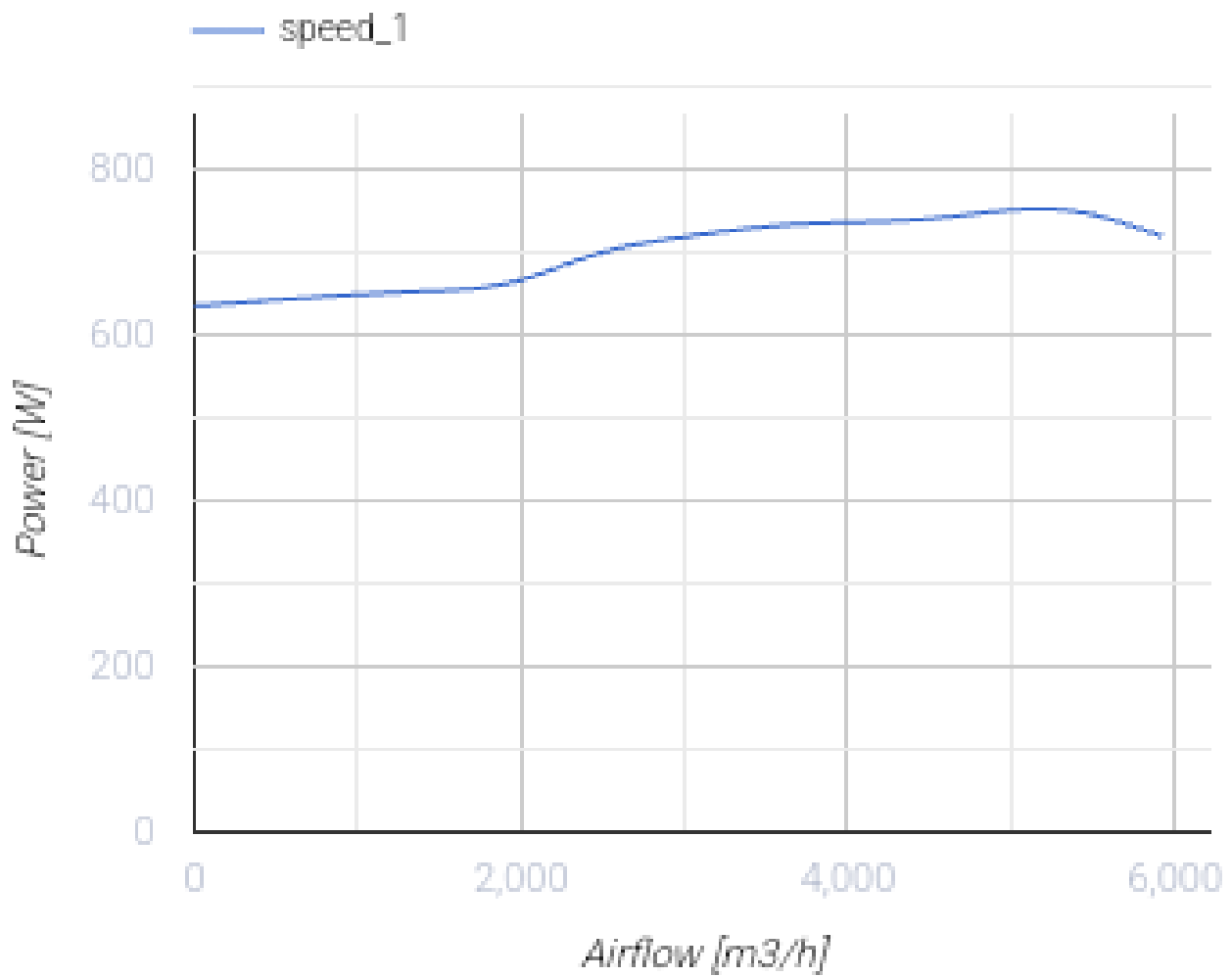
Iso-VK 450 4D

Kitchen sound-insulated inline centrifugal fans with AC motors

- Maximum airflow: 5920
- Sound pressure level LpA at 3 m: 56
- Sound insulation
- Motor type: AC
- Impeller type: Centrifugal impeller with backward curved blades
- Casing material: Aluzinc
- Installation in any position

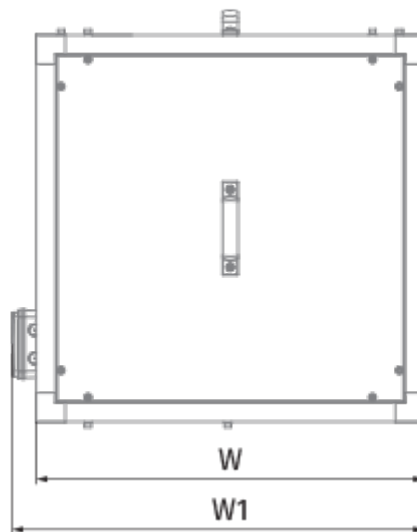
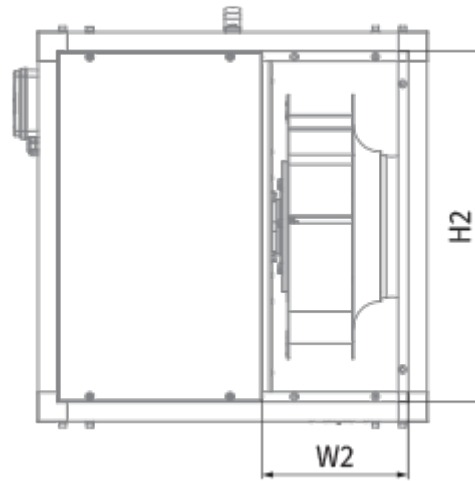
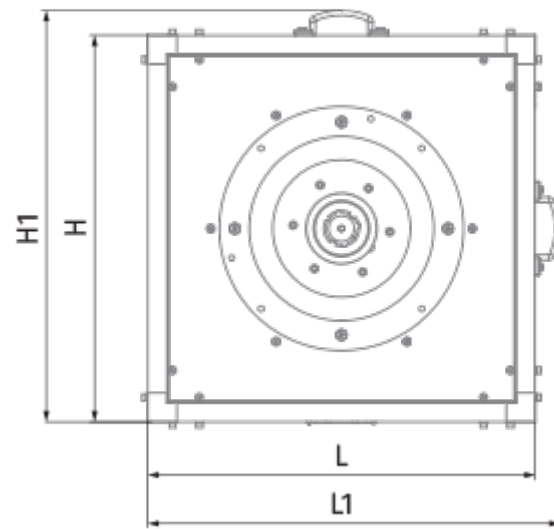
	Unit of measurement	Iso-VK 450 4D
Connected air duct size	mm	450
Speed	-	1
Phases	-	3
Minimum supply voltage	V	400
Maximum supply voltage	V	400
Power supply frequency	Hz	50
Rated power	W	750
Unit current	A	1.9
Maximum airflow	m ³ /h	5920
rotation speed at 50hz	-	1435
Sound pressure level LpA at 3 m	dB(A)	56
Weight	kg	73.3
Transported air temperature (max)	°C	120
Transported air temperature (min)	°C	-25
Ingress protection rating	-	IPX4






Dimensions

H	H1	H2	L	L1	W	W1	W2
700	738	640	700	738	700	738	282



Accessories

Thyristor speed controllers

Name	Photo	Description
CDT E1.8	 A photograph of the CDT E1.8 thyristor speed controller, showing a white rectangular unit with a circular dial and a small square component below it.	Thyristor speed controller