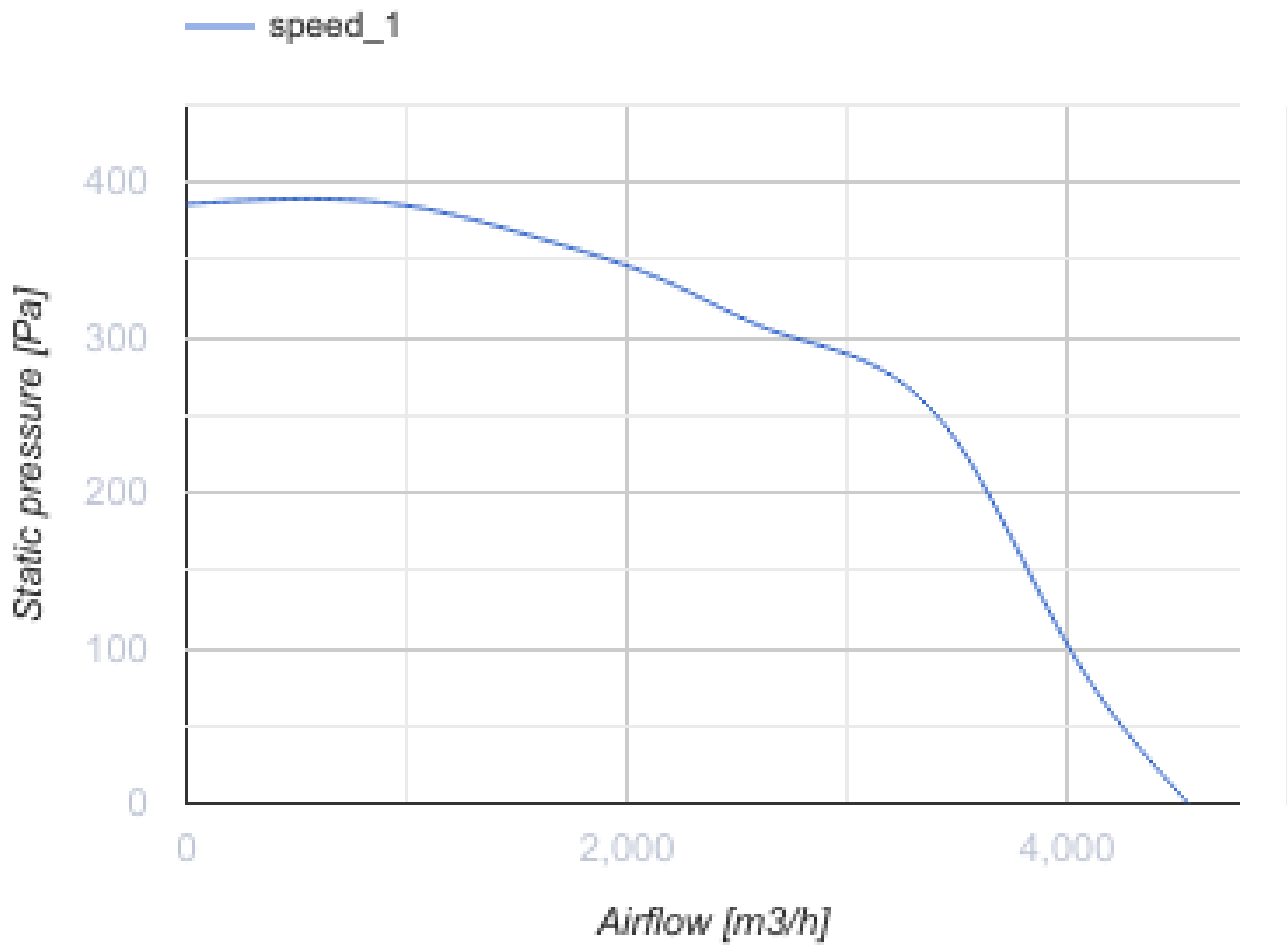


Iso-VK 400 4E

Kitchen sound-insulated inline centrifugal fans with AC motors

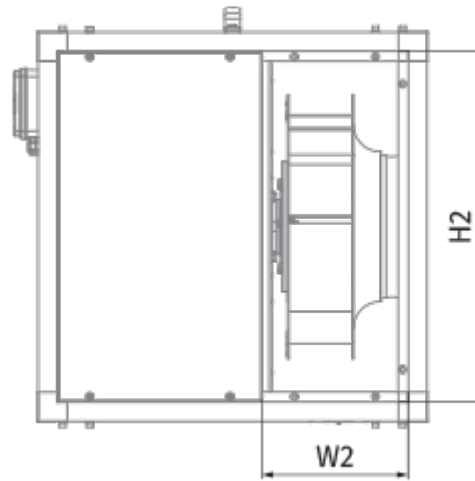
- Maximum airflow: 4550
- Sound pressure level LpA at 3 m: 50
- Sound insulation
- Motor type: AC
- Impeller type: Centrifugal impeller with backward curved blades
- Casing material: Aluzinc
- Installation in any position

	Unit of measurement	Iso-VK 400 4E
Connected air duct size	mm	400
Speed	-	1
Phases	-	1
Minimum supply voltage	V	230
Maximum supply voltage	V	230
Power supply frequency	Hz	50
Rated power	W	550
Unit current	A	4.4
Maximum airflow	m ³ /h	4550
rotation speed at 50hz	-	1410
Sound pressure level LpA at 3 m	dB(A)	50
Weight	kg	60.3
Transported air temperature (max)	°C	120
Transported air temperature (min)	°C	-25
Ingress protection rating	-	IPX4




Dimensions

H	H1	H2	L	L1	W	W1	W2
670	708	610	670	708	670	708	252



Accessories

Thyristor speed controllers

Name	Photo	Description
CDT E1.8	 A photograph of a white, square-shaped thyristor speed controller with a circular dial on the front and a small component next to it.	Thyristor speed controller