

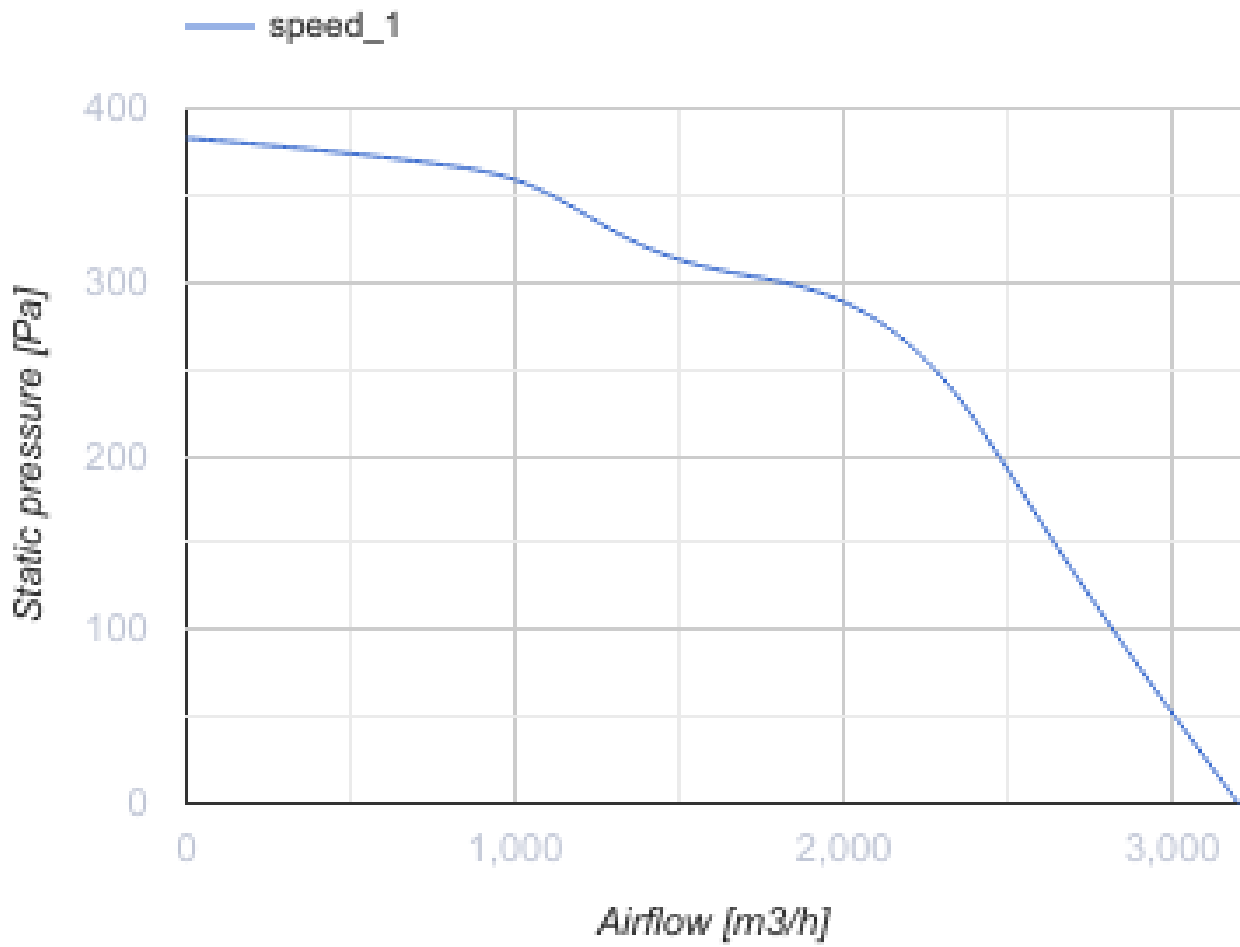


Iso-VK 355 4E

Sound-insulated inline centrifugal fans

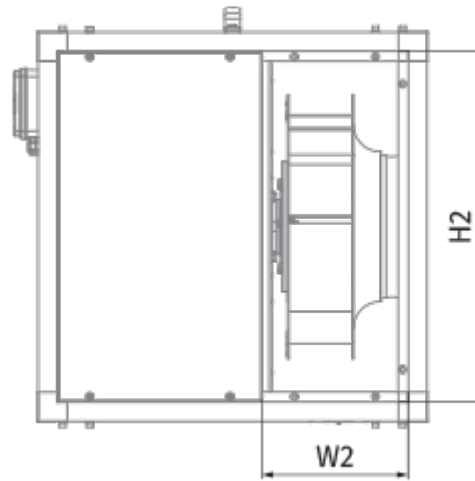
- Maximum airflow: 3200
- Sound pressure level LpA at 3 m: 57
- Sound insulation
- Motor type: AC
- Impeller type: Centrifugal backward curved blades
- Casing material: Aluzinc
- Installation in any position

	Unit of measurement	Iso-VK 355 4E
Connected air duct size	mm	355
Speed	-	1
Phases	-	1
Minimum supply voltage	V	230
Maximum supply voltage	V	230
Power supply frequency	Hz	50
Rated power	W	370
Unit current	A	3.3
Maximum airflow	m ³ /h	3200
rotation speed at 50hz	-	1452
Sound pressure level LpA at 3 m	dB(A)	57
Weight	kg	47.4
Transported air temperature (max)	°C	120
Transported air temperature (min)	°C	-25
Ingress protection rating	-	IPX4




Dimensions

H	H1	H2	L	L1	W	W1	W2
600	638	540	600	638	600	638	225



Accessories

Other accessories

Name	Photo	Description
CDT E1.8		Thyristor speed controller