

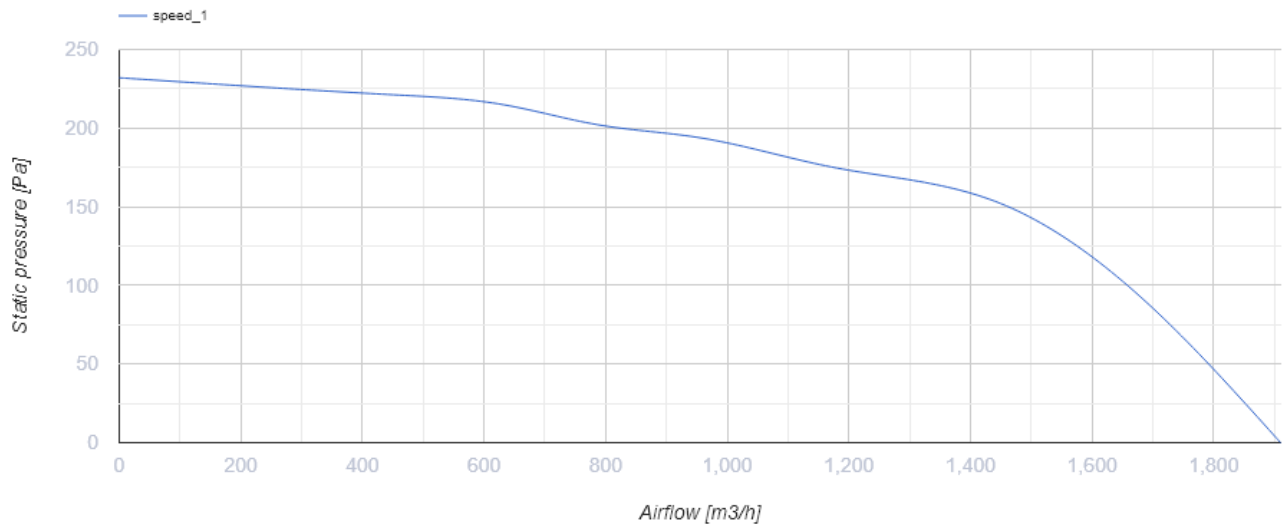


Iso-VK 315 4D

Sound-insulated inline centrifugal fans

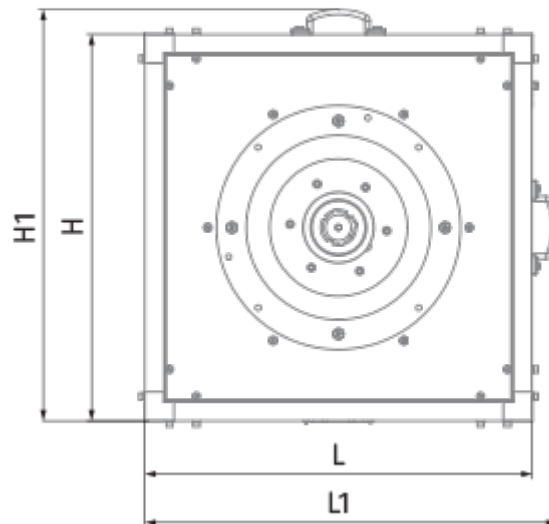
- Maximum airflow: 1910
- Sound pressure level LpA at 3 m: 50
- Sound insulation
- Motor type: AC
- Impeller type: Centrifugal backward curved blades
- Casing material: Aluzinc
- Installation in any position

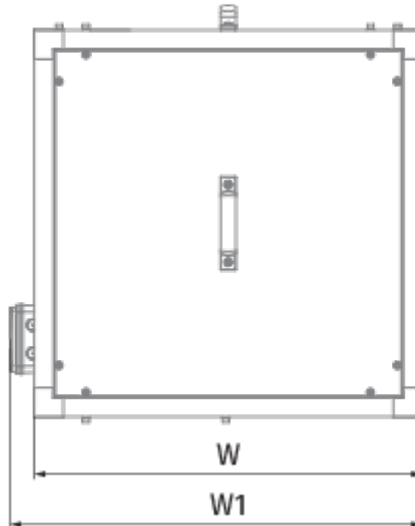
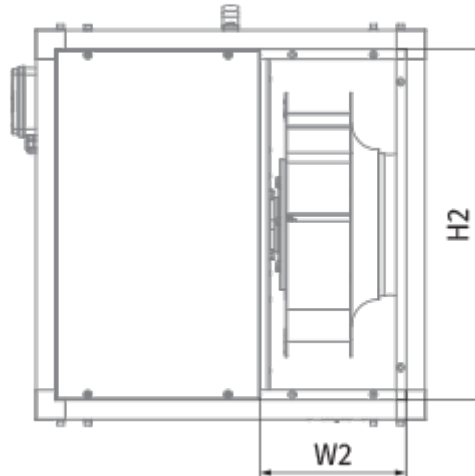
	Unit of measurement	Iso-VK 315 4D
Connected air duct size	mm	315
Speed	-	1
Phases	-	3
Minimum supply voltage	V	400
Maximum supply voltage	V	400
Power supply frequency	Hz	50
Rated power	W	250
Unit current	A	0.7
Maximum airflow	m ³ /h	1910
rotation speed at 50hz	-	1385
Sound pressure level LpA at 3 m	dB(A)	50
Weight	kg	37.2
Transported air temperature (max)	°C	120
Transported air temperature (min)	°C	-25
Ingress protection rating	-	IPX4



Dimensions


H	H1	H2	L	L1	W	W1	W2
500	538	440	500	538	500	538	200





Accessories

Other accessories

Name	Photo	Description
CDT E1.8		Thyristor speed controller