

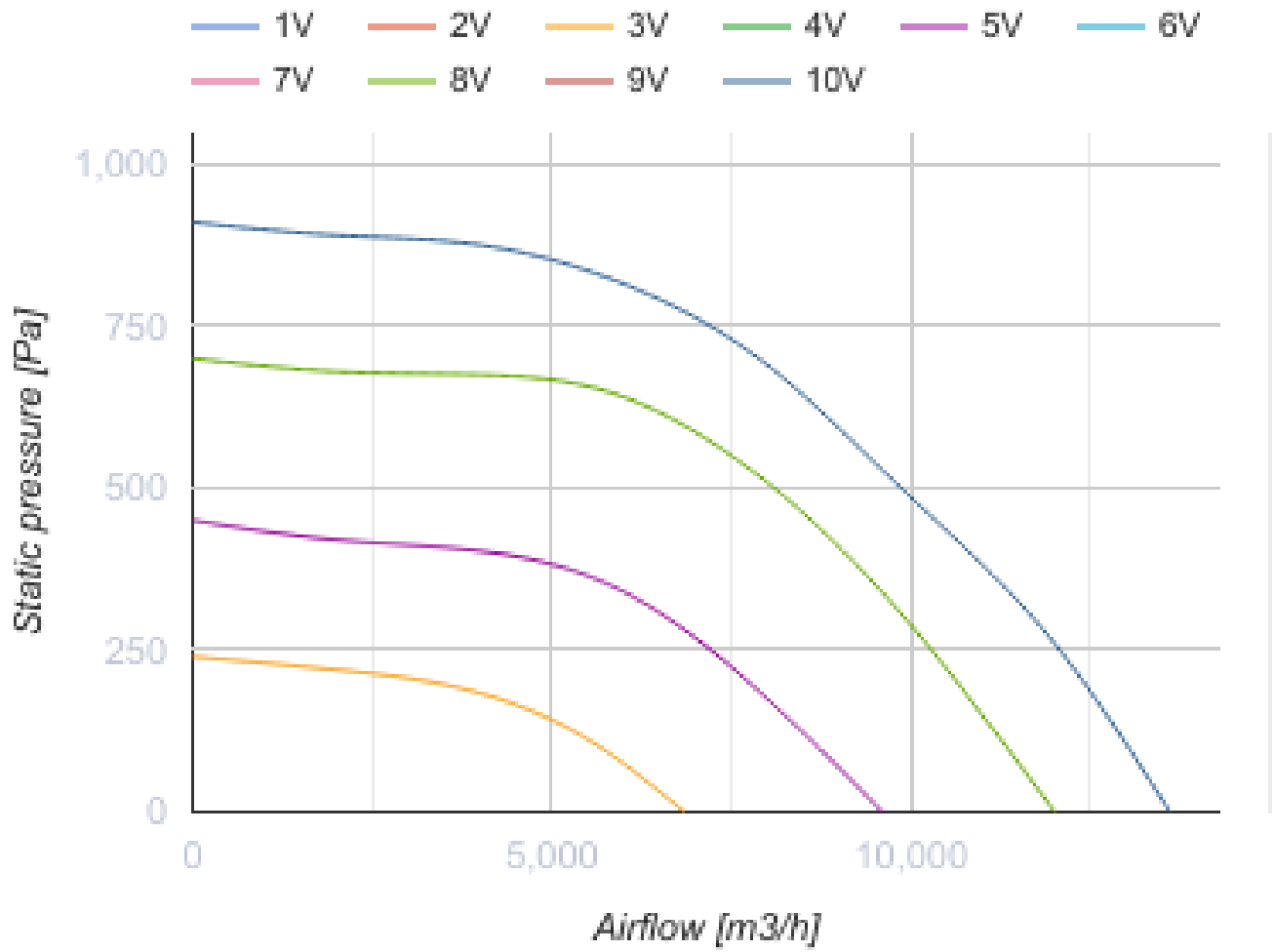
Iso-V EC 560

Centrifugal inline fans in sound-insulated casings with EC-motors



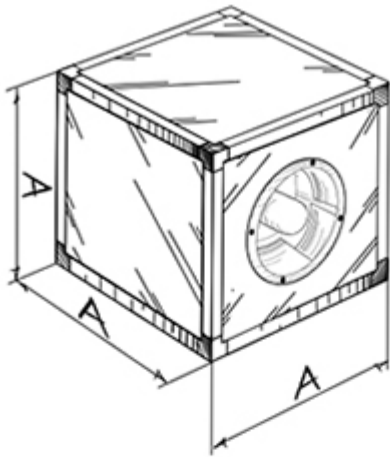
- Maximum airflow: 13600
- Sound pressure level LpA at 3 m: 50
- Sound insulation
- Motor type: EC
- Impeller type: Centrifugal backward curved blades
- Casing material: Aluzinc
- Installation in any position

	Unit of measurement	Iso-V EC 560
Connected air duct size	mm	560
Speed	-	1
Minimum supply voltage	V	380
Maximum supply voltage	V	480
Power supply frequency	Hz	50/60
Rated power	W	2360
Unit current	A	3.65
Maximum airflow	m ³ /h	13600
Sound pressure level LpA at 3 m	dB(A)	50
Weight	kg	60.5
Transported air temperature (max)	°C	60
Transported air temperature (min)	°C	-25
Ingress protection rating	-	IPX4

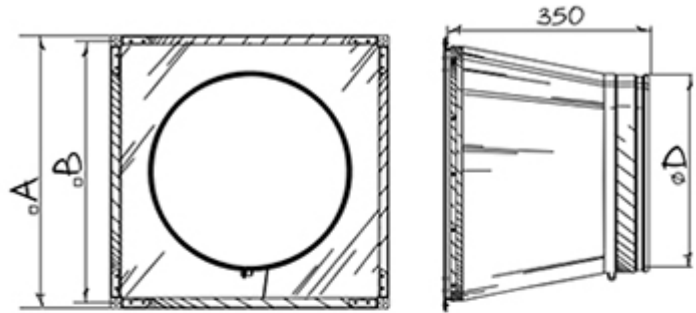


Dimensions

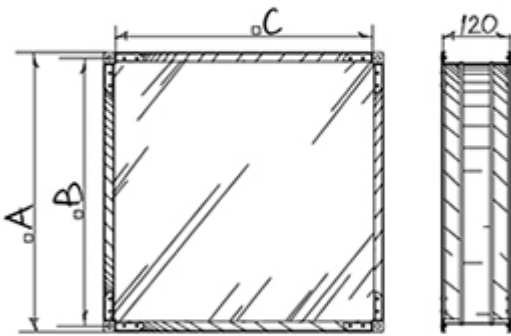
A
800



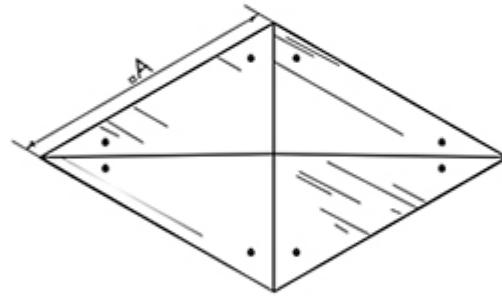
Iso-V EC



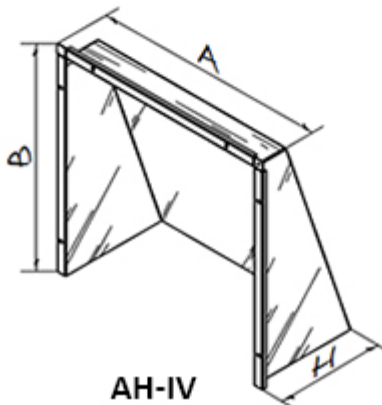
ARV



AKV



RSD-IV



AH-IV

Ecodesign

Trademark	Blauberg
Model	Iso-V EC 560
Type of ventilation unit	Unidirectional
Type of drive installed	Integrated VSD
Type of heat recovery system	None
Nominal flow rate (m ³ /s)	2.292
Nominal external pressure (Pa)	684
Maximum external leakage rates (%)	2.7
Static efficiency (%)	72
Declared typology	NRVU UVU
Sound power level (dB(A))	70
Effective electric power input (kW)	2.36

Accessories

Other accessories

Name	Photo	Description
CDT E/0-10		Speed control for EC motors