

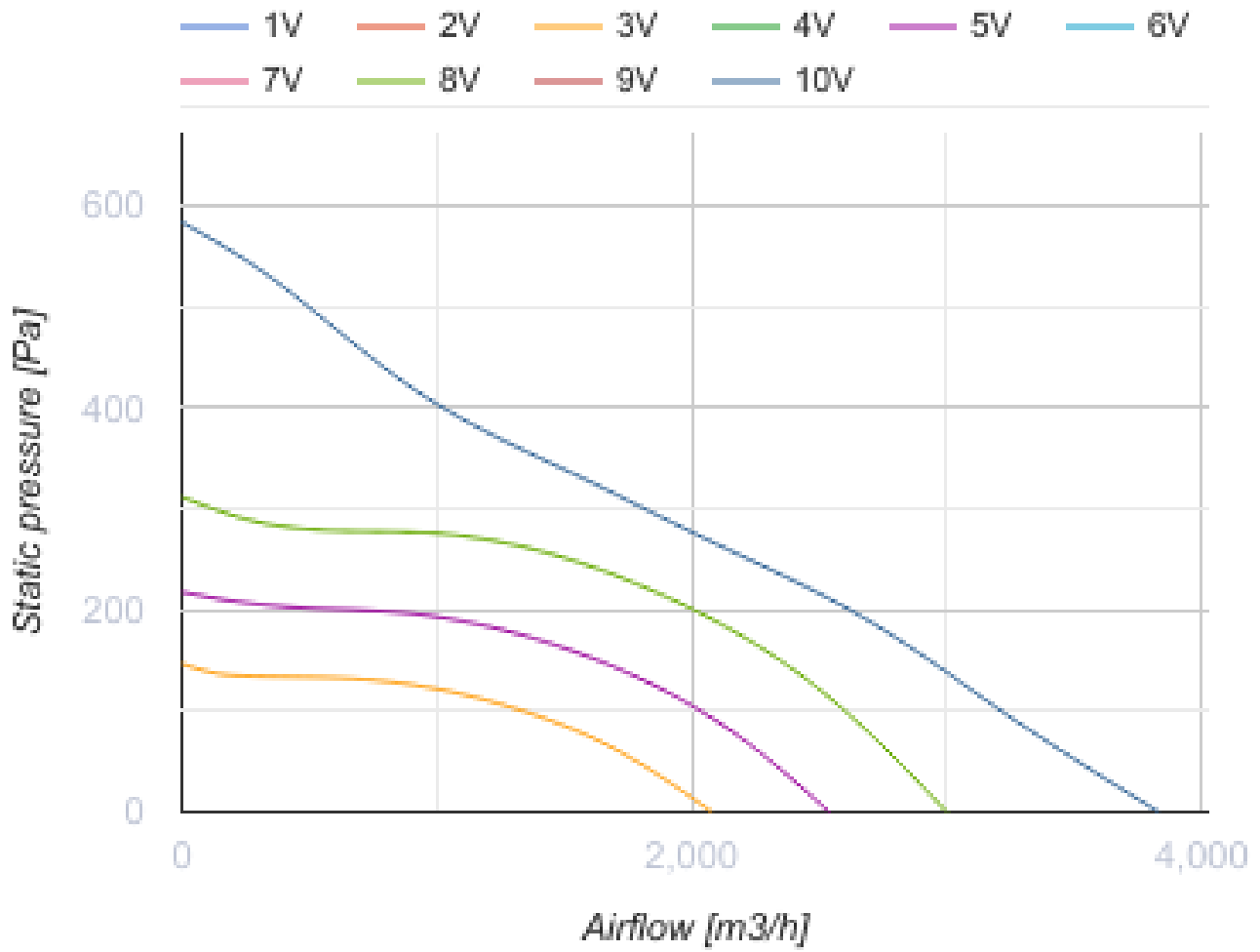
## Iso-V EC 355

Sound-insulated inline fans with EC motor



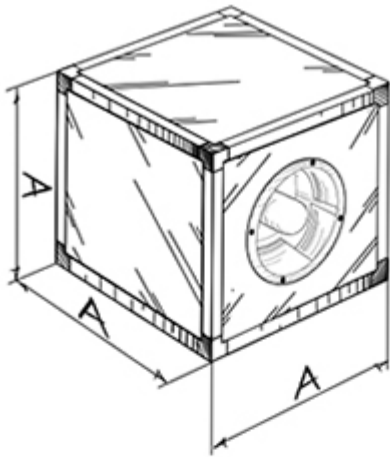
- Maximum airflow: 3830
- Sound pressure level LpA at 3 m: 44
- Sound insulation
- Motor type: EC
- Impeller type: Centrifugal backward curved blades
- Casing material: Aluzinc
- Installation in any position

	Unit of measurement	Iso-V EC 355
Connected air duct size	mm	355
Speed	-	1
Minimum supply voltage	V	200
Maximum supply voltage	V	277
Power supply frequency	Hz	50/60
Rated power	W	250
Unit current	A	1.1
Maximum airflow	m <sup>3</sup> /h	3830
Sound pressure level LpA at 3 m	dB(A)	44
Weight	kg	29.3
Transported air temperature (max)	°C	60
Transported air temperature (min)	°C	-25
Ingress protection rating	-	IPX4

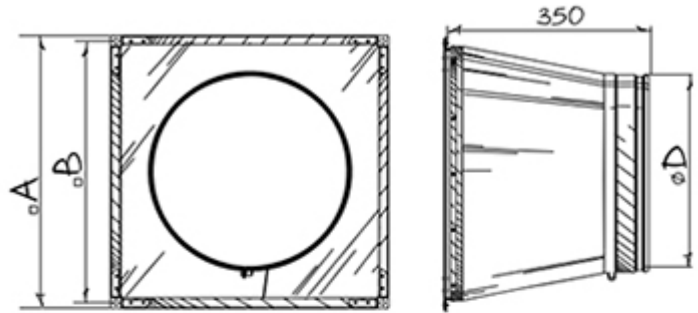


### Dimensions

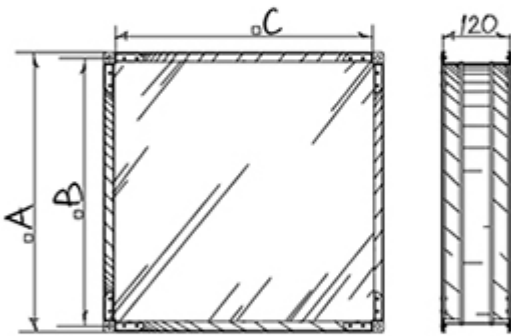
A
500



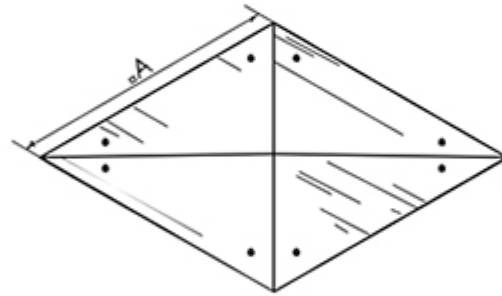
**Iso-V EC**



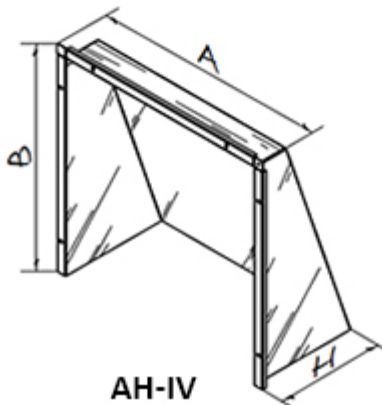
**ARV**



**AKV**



**RSD-IV**



**AH-IV**

## Ecodesign

Trademark	Blauberg
Model	Iso-V EC 355
Type of ventilation unit	Unidirectional
Type of drive installed	Integrated VSD
Type of heat recovery system	None
Nominal flow rate (m <sup>3</sup> /s)	0.467
Nominal external pressure (Pa)	315
Maximum external leakage rates (%)	2.7
Static efficiency (%)	67.8
Declared typology	NRVU UVU
Sound power level (dB(A))	64
Effective electric power input (kW)	0.25

## Accessories

### EC motors regulators

Name	Photo	Description
<a href="#">CDT E/0-10</a>		Speed control for EC motors