

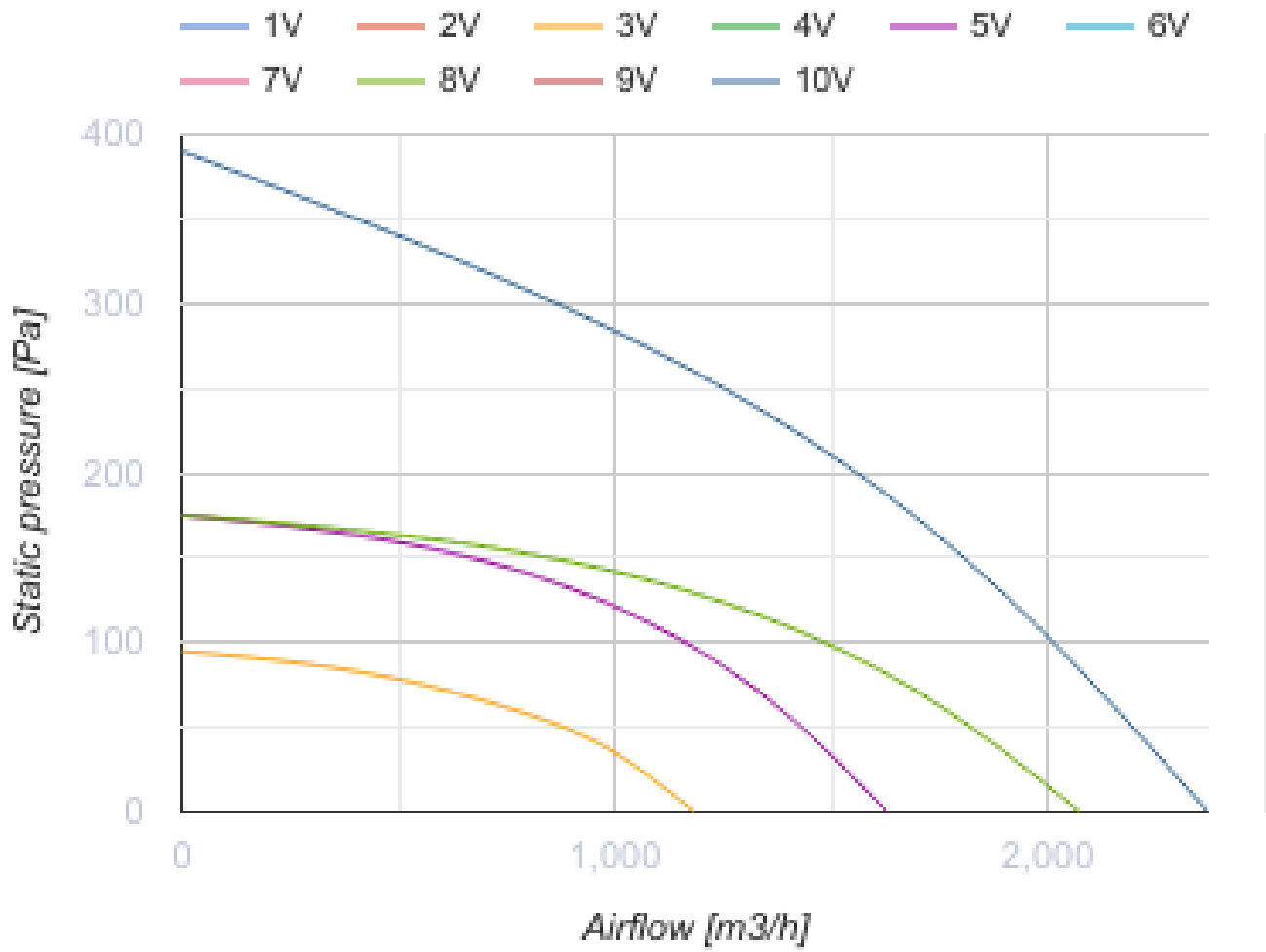
Iso-V EC 315

Sound-insulated inline fans with EC motor



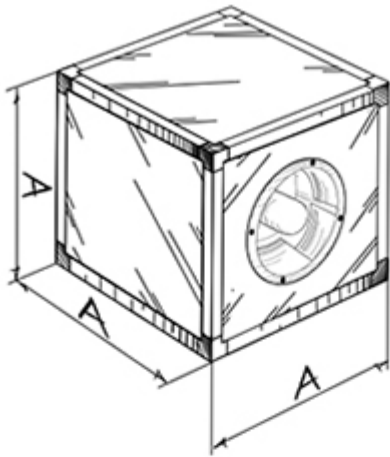
- Maximum airflow: 2370
- Sound pressure level LpA at 3 m: 35
- Sound insulation
- Motor type: EC
- Impeller type: Centrifugal backward curved blades
- Casing material: Aluzinc
- Installation in any position

	Unit of measurement	Iso-V EC 315
Connected air duct size	mm	315
Speed	-	1
Minimum supply voltage	V	200
Maximum supply voltage	V	240
Power supply frequency	Hz	50/60
Rated power	W	150
Unit current	A	1.23
Maximum airflow	m ³ /h	2370
Sound pressure level LpA at 3 m	dB(A)	35
Weight	kg	25.7
Transported air temperature (max)	°C	80
Transported air temperature (min)	°C	-40
Ingress protection rating	-	IPX4

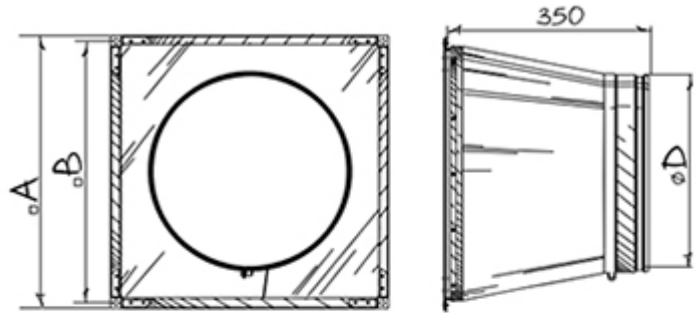


Dimensions

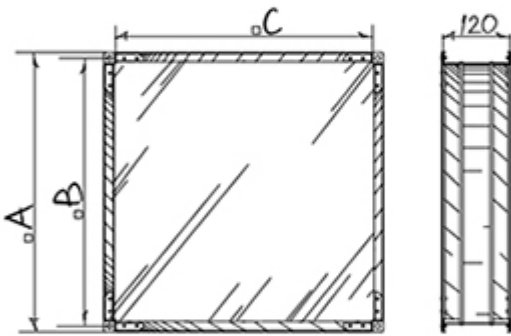
A
500



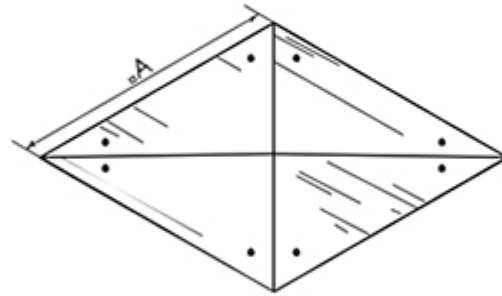
Iso-V EC



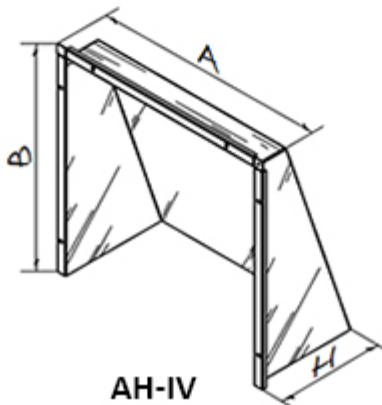
ARV



AKV



RSD-IV



AH-IV

Ecodesign

Trademark	Blauberg
Model	Iso-V EC 315
Type of ventilation unit	Unidirectional
Type of drive installed	Integrated VSD
Type of heat recovery system	None
Nominal flow rate (m ³ /s)	0.404
Nominal external pressure (Pa)	223
Maximum external leakage rates (%)	2.7
Static efficiency (%)	70.2
Declared typology	NRVU UVU
Sound power level (dB(A))	55
Effective electric power input (kW)	0.15

Accessories

EC motors regulators

Name	Photo	Description
CDT E/0-10		Speed control for EC motors