

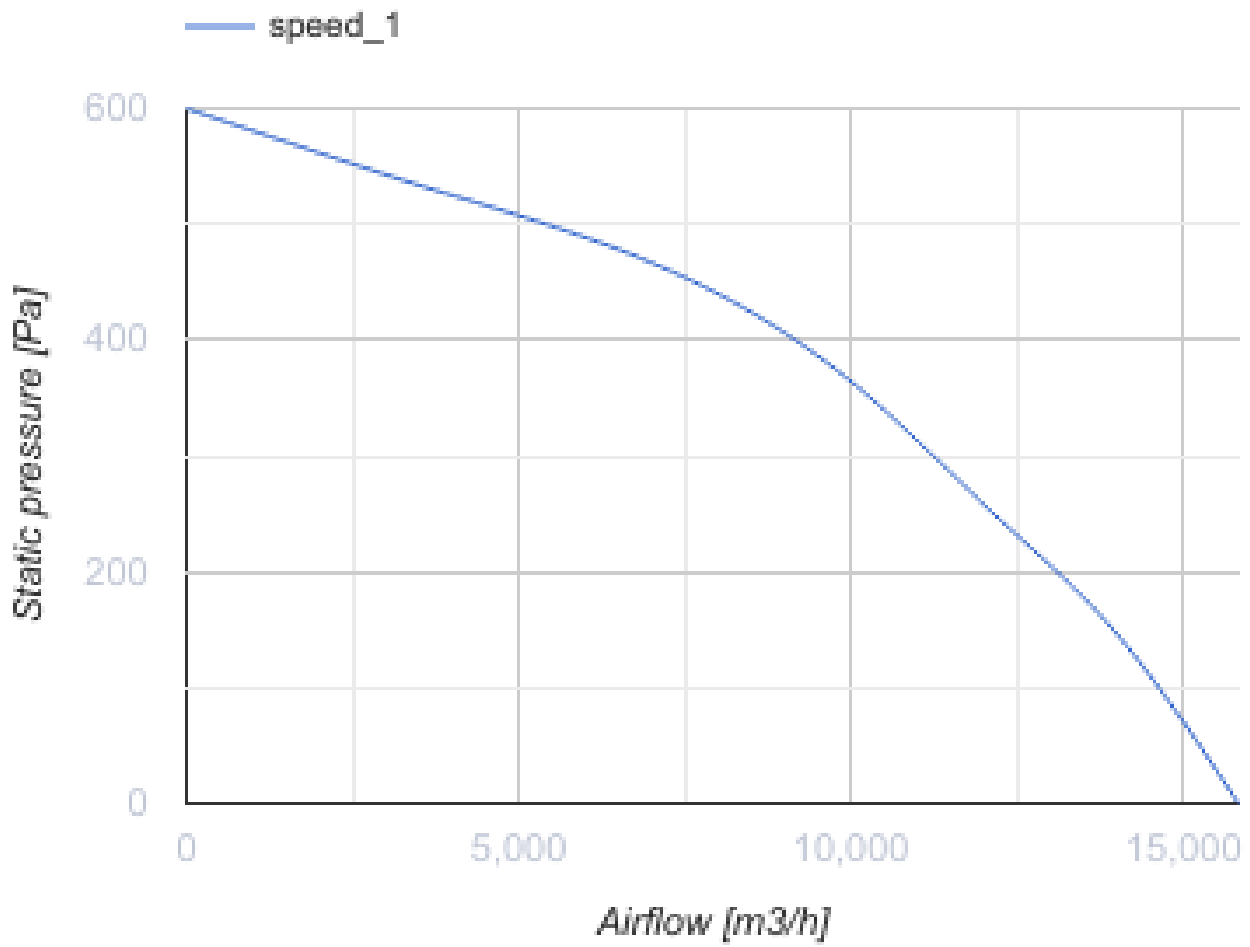


Iso-V 710 6D

Sound-insulated inline centrifugal fans

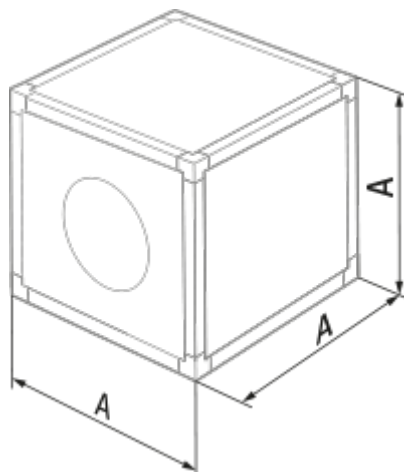
- Maximum airflow: 15830
- Sound pressure level LpA at 3 m: 59
- Sound insulation
- Motor type: AC
- Impeller type: Centrifugal backward curved blades
- Casing material: Aluzinc
- Installation in any position

	Unit of measurement	Iso-V 710 6D
Connected air duct size	mm	710
Speed	-	1
Minimum supply voltage	V	400
Maximum supply voltage	V	400
Power supply frequency	Hz	50
Rated power	W	2000
Unit current	A	3.9
Maximum airflow	m ³ /h	15830
Sound pressure level LpA at 3 m	dB(A)	59
Weight	kg	136
Transported air temperature (max)	°C	40
Transported air temperature (min)	°C	-20
Ingress protection rating	-	IPX4



Dimensions

A
1000




Ecodesign

Trademark	Blauberg
Model	Iso-V 710 6D
Type of ventilation unit	Unidirectional
Type of drive installed	External MSD or VSD
Type of heat recovery system	None
Nominal flow rate (m ³ /s)	2.692
Nominal external pressure (Pa)	376
Maximum external leakage rates (%)	2.7
Static efficiency (%)	50.6
Declared typology	NRVU UVU
Sound power level (dB(A))	79
Effective electric power input (kW)	2.04

Accessories

Other accessories

Name	Photo	Description
CDT E1.8		Thyristor speed controller