

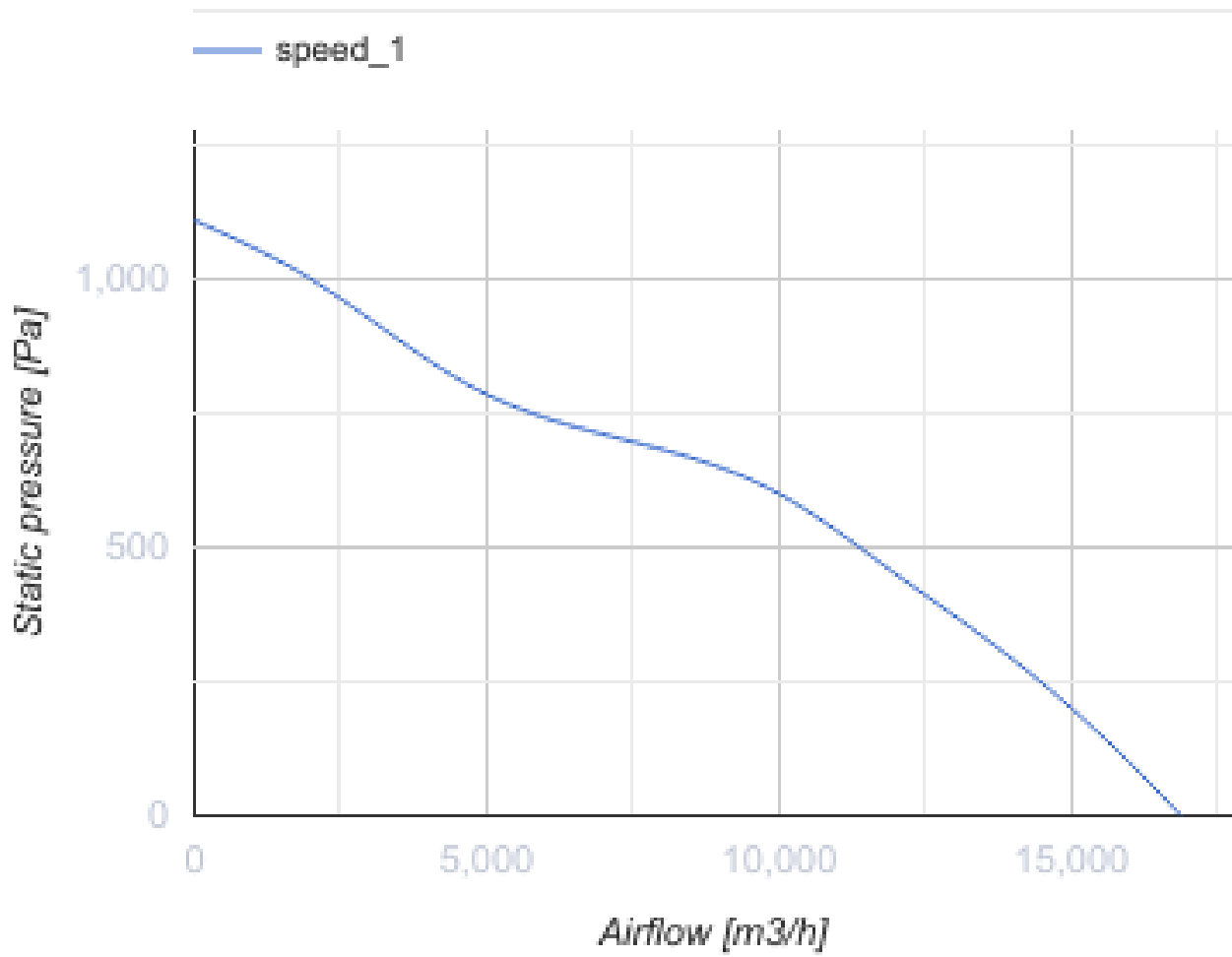


Iso-V 630 4D max

Sound-insulated inline centrifugal fans

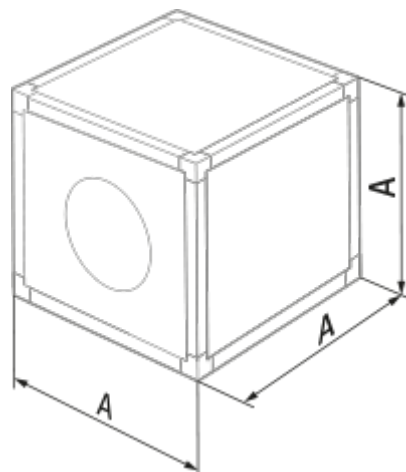
- Maximum airflow: 16870
- Sound pressure level LpA at 3 m: 69
- Sound insulation
- Motor type: AC
- Impeller type: Centrifugal backward curved blades
- Casing material: Aluzinc
- Installation in any position

	Unit of measurement	Iso-V 630 4D max
Connected air duct size	mm	630
Speed	-	1
Minimum supply voltage	V	400
Maximum supply voltage	V	400
Power supply frequency	Hz	50
Rated power	W	4250
Unit current	A	7.55
Maximum airflow	m ³ /h	16870
Sound pressure level LpA at 3 m	dB(A)	69
Weight	kg	100
Transported air temperature (max)	°C	60
Transported air temperature (min)	°C	-40
Ingress protection rating	-	IPX4



Dimensions

A
800




Ecodesign

Trademark	Blauberg
Model	Iso-V 630 4D max
Type of ventilation unit	Unidirectional
Type of drive installed	External MSD or VSD
Type of heat recovery system	None
Nominal flow rate (m ³ /s)	2.829
Nominal external pressure (Pa)	581
Maximum external leakage rates (%)	2.7
Static efficiency (%)	39.5
Declared typology	NRVU UVU
Sound power level (dB(A))	89
Effective electric power input (kW)	4.249

Accessories

Thyristor speed controllers

Name	Photo	Description
CDT E1.8		Thyristor speed controller