

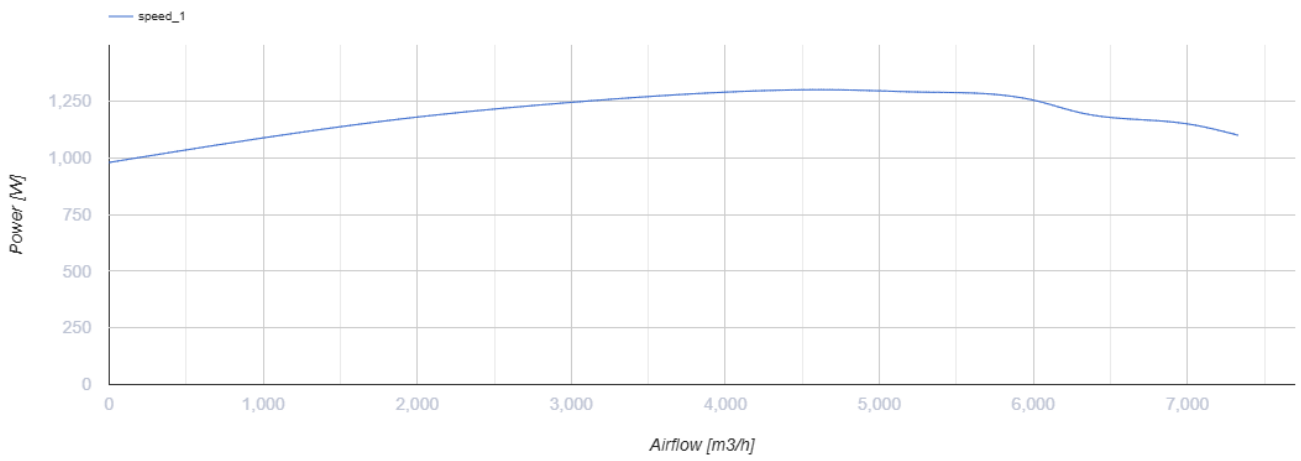
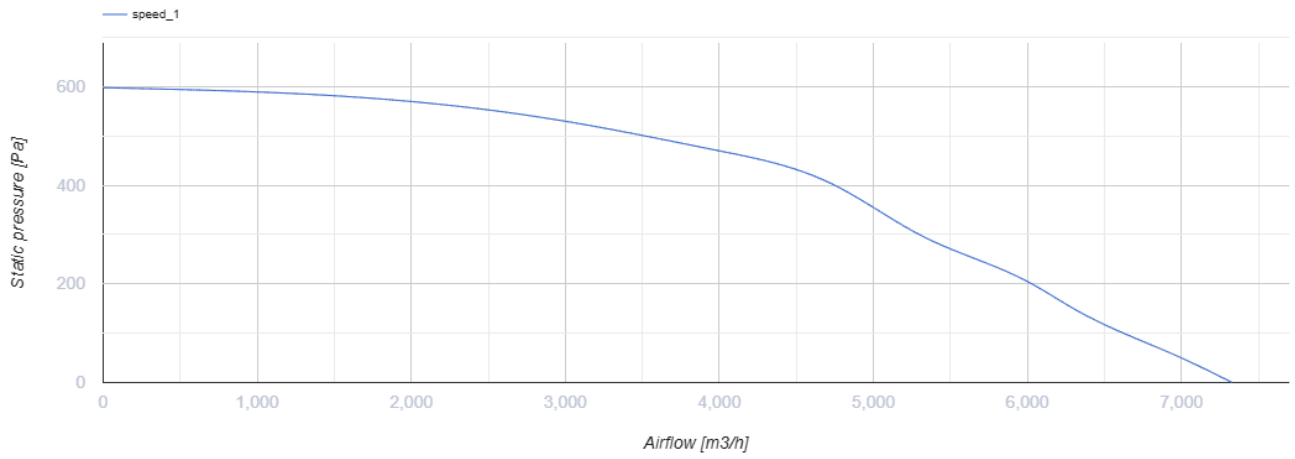


## Iso-V 500 4E

Sound-insulated inline centrifugal fans

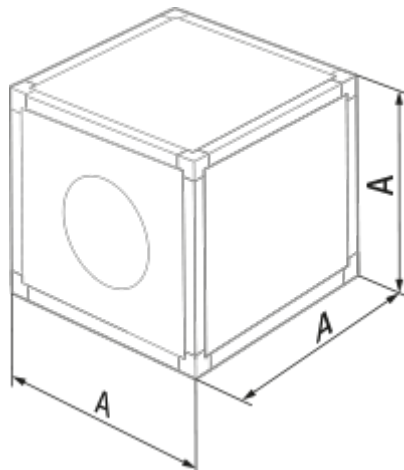
- Maximum airflow: 7330
- Sound pressure level LpA at 3 m: 55
- Sound insulation
- Motor type: AC
- Impeller type: Centrifugal backward curved blades
- Casing material: Aluzinc
- Installation in any position

	Unit of measurement	Iso-V 500 4E
Connected air duct size	mm	500
Speed	-	1
Minimum supply voltage	V	230
Maximum supply voltage	V	230
Power supply frequency	Hz	50
Rated power	W	1300
Unit current	A	5.7
Maximum airflow	m <sup>3</sup> /h	7330
Sound pressure level LpA at 3 m	dB(A)	55
Weight	kg	52
Transported air temperature (max)	°C	50
Transported air temperature (min)	°C	-20
Ingress protection rating	-	IPX4



## Dimensions

A
670



## Ecodesign

Trademark	Blauberg
Model	Iso-V 500 4E
Type of ventilation unit	Unidirectional
Type of drive installed	External MSD or VSD
Type of heat recovery system	None
Nominal flow rate (m <sup>3</sup> /s)	1.213
Nominal external pressure (Pa)	425
Maximum external leakage rates (%)	2.7
Static efficiency (%)	40.8
Declared typology	NRVU UVU
Sound power level (dB(A))	75
Effective electric power input (kW)	1.289

## Accessories

### Thyristor speed controllers

Name	Photo	Description
<a href="#">CDT E1.8</a>		Thyristor speed controller