



## Iso-V 450 4E

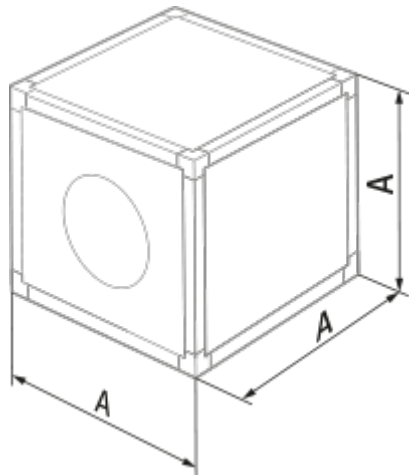
Sound-insulated inline centrifugal fans

- Maximum airflow: 5630
- Sound pressure level LpA at 3 m: 53
- Sound insulation
- Motor type: AC
- Impeller type: Centrifugal backward curved blades
- Casing material: Aluzinc
- Installation in any position

	Unit of measurement	Iso-V 450 4E
Connected air duct size	mm	450
Speed	-	1
Minimum supply voltage	V	230
Maximum supply voltage	V	230
Power supply frequency	Hz	50
Rated power	W	680
Unit current	A	3
Maximum airflow	m <sup>3</sup> /h	5630
Sound pressure level LpA at 3 m	dB(A)	53
Weight	kg	43
Transported air temperature (max)	°C	70
Transported air temperature (min)	°C	-40
Ingress protection rating	-	IPX4

### Dimensions

A
670




## Ecodesign

Trademark	Blauberg
Model	Iso-V 450 4E
Type of ventilation unit	Unidirectional
Type of drive installed	External MSD or VSD
Type of heat recovery system	None
Nominal flow rate (m <sup>3</sup> /s)	0.958
Nominal external pressure (Pa)	332
Maximum external leakage rates (%)	2.7
Static efficiency (%)	48.1
Declared typology	NRVU UVU
Sound power level (dB(A))	73
Effective electric power input (kW)	0.675

## Accessories

### Other accessories

Name	Photo	Description
<a href="#">CDT E1.8</a>		Thyristor speed controller