

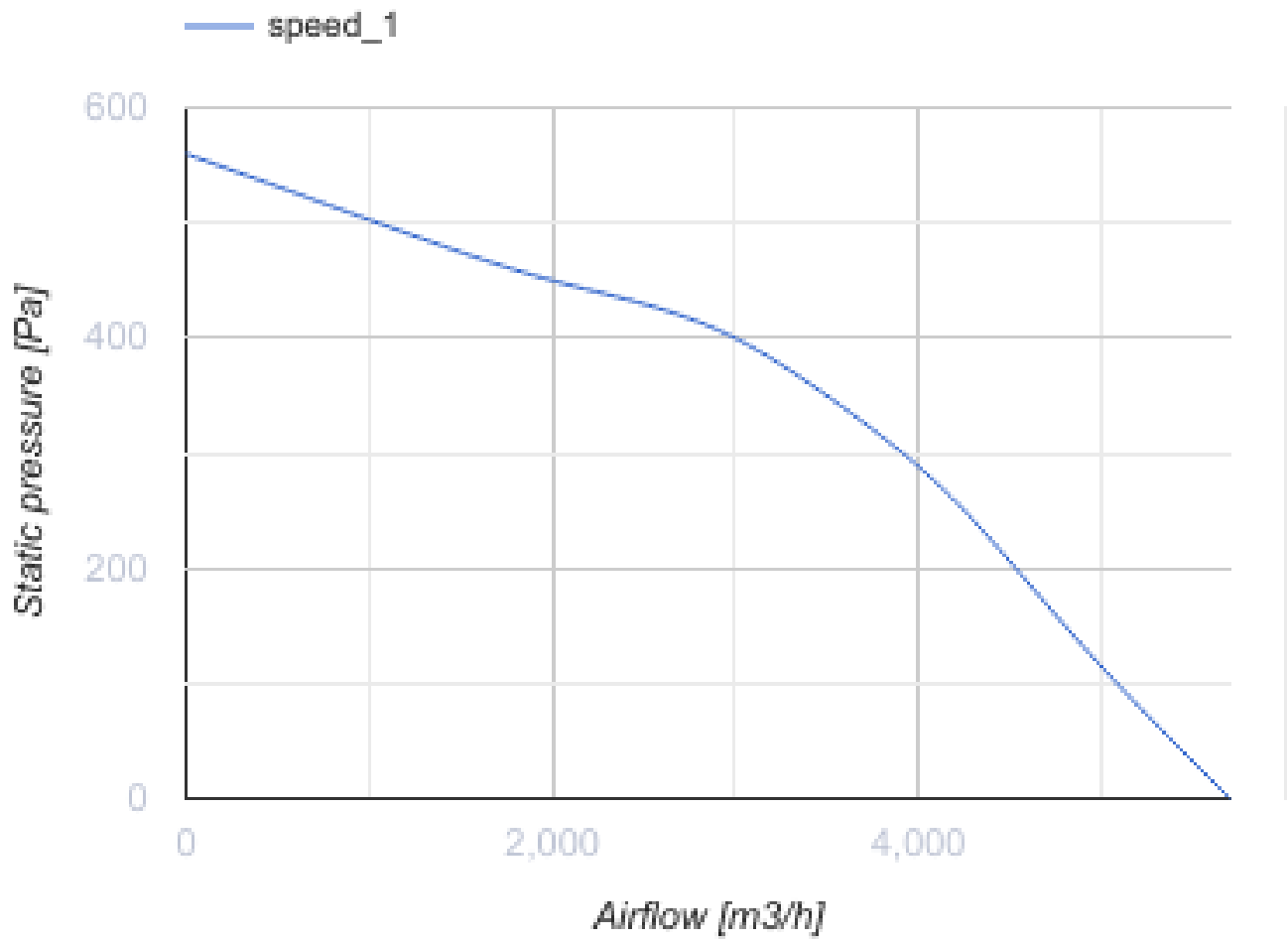


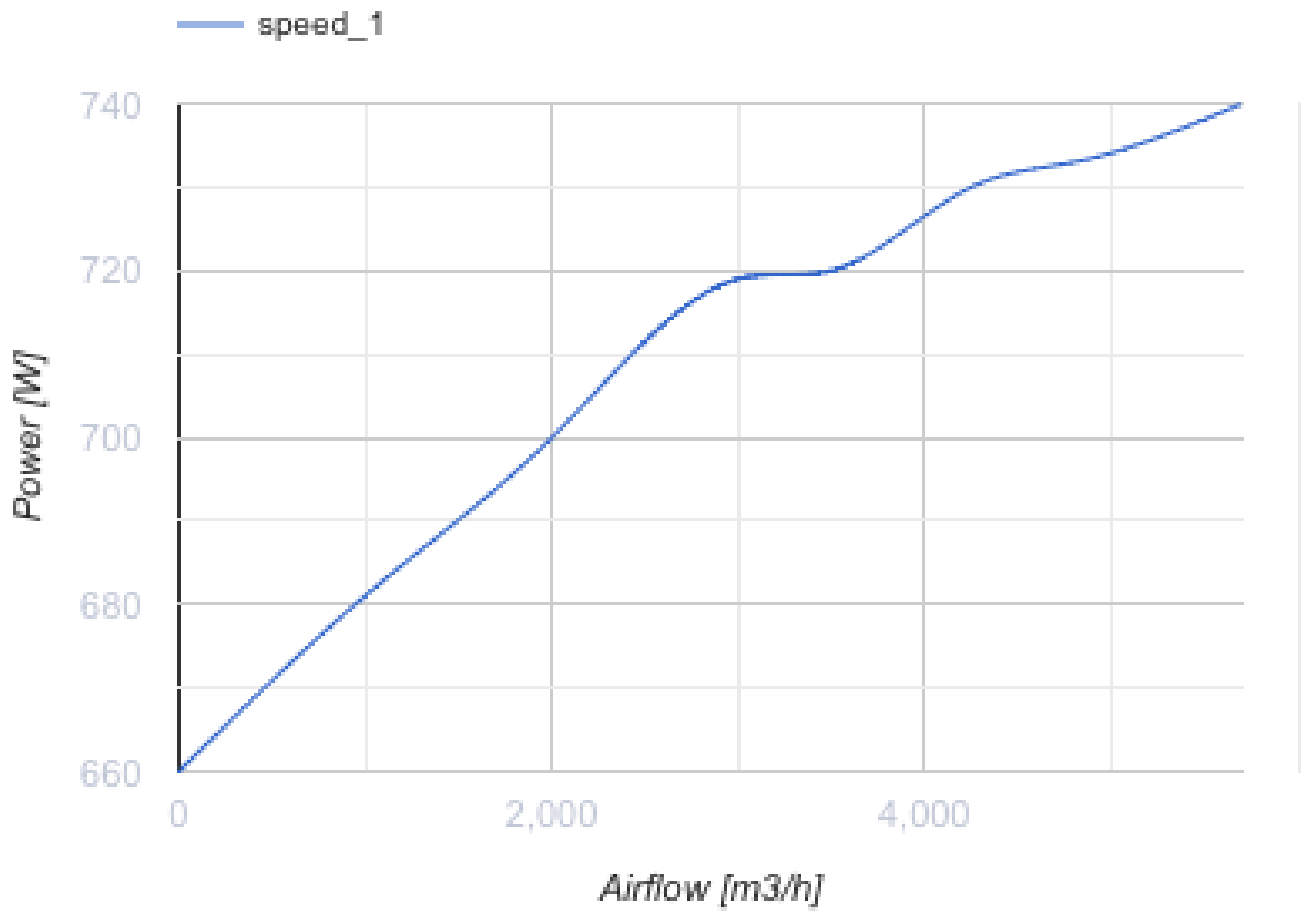
Iso-V 450 4D

Sound-insulated inline centrifugal fans

- Maximum airflow: 5700
- Sound pressure level LpA at 3 m: 54
- Sound insulation
- Motor type: AC
- Impeller type: Centrifugal backward curved blades
- Casing material: Aluzinc
- Installation in any position

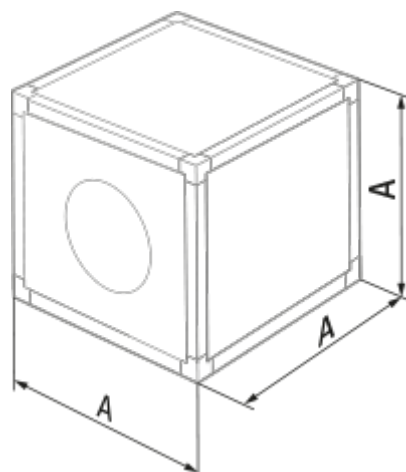
	Unit of measurement	Iso-V 450 4D
Connected air duct size	mm	450
Speed	-	1
Minimum supply voltage	V	400
Maximum supply voltage	V	400
Power supply frequency	Hz	50
Rated power	W	740
Unit current	A	1.5
Maximum airflow	m ³ /h	5700
Sound pressure level LpA at 3 m	dB(A)	54
Weight	kg	43
Transported air temperature (max)	°C	80
Transported air temperature (min)	°C	-40
Ingress protection rating	-	IPX4





Dimensions

A
670



Ecodesign

Trademark	Blauberg
Model	Iso-V 450 4D
Type of ventilation unit	Unidirectional
Type of drive installed	External MSD or VSD
Type of heat recovery system	None
Nominal flow rate (m ³ /s)	0.969
Nominal external pressure (Pa)	353
Maximum external leakage rates (%)	2.7
Static efficiency (%)	48.5
Declared typology	NRVU UVU
Sound power level (dB(A))	74
Effective electric power input (kW)	0.72

Accessories

Thyristor speed controllers

Name	Photo	Description
CDT E1.8		Thyristor speed controller