

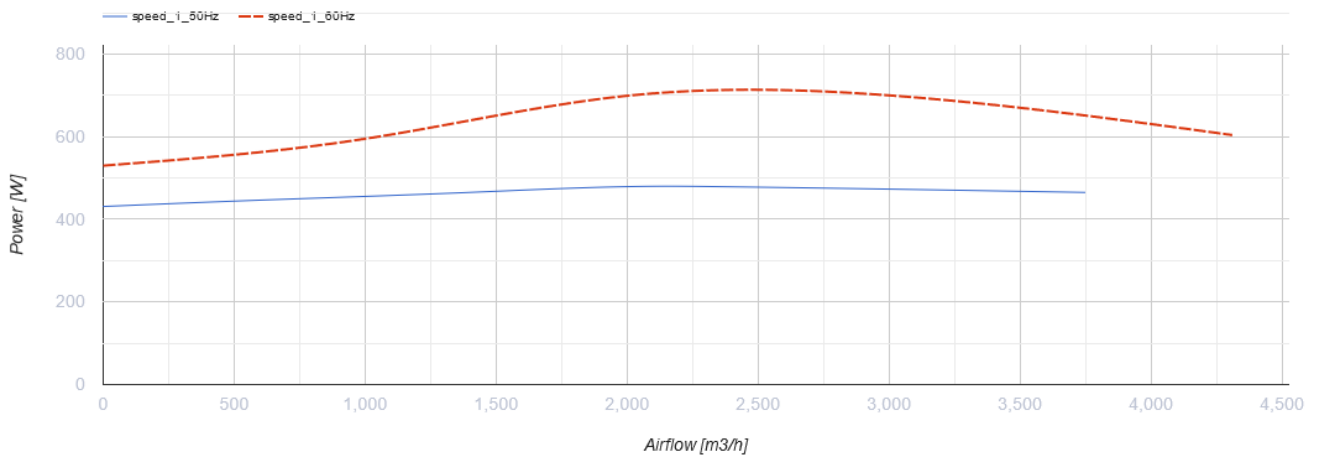
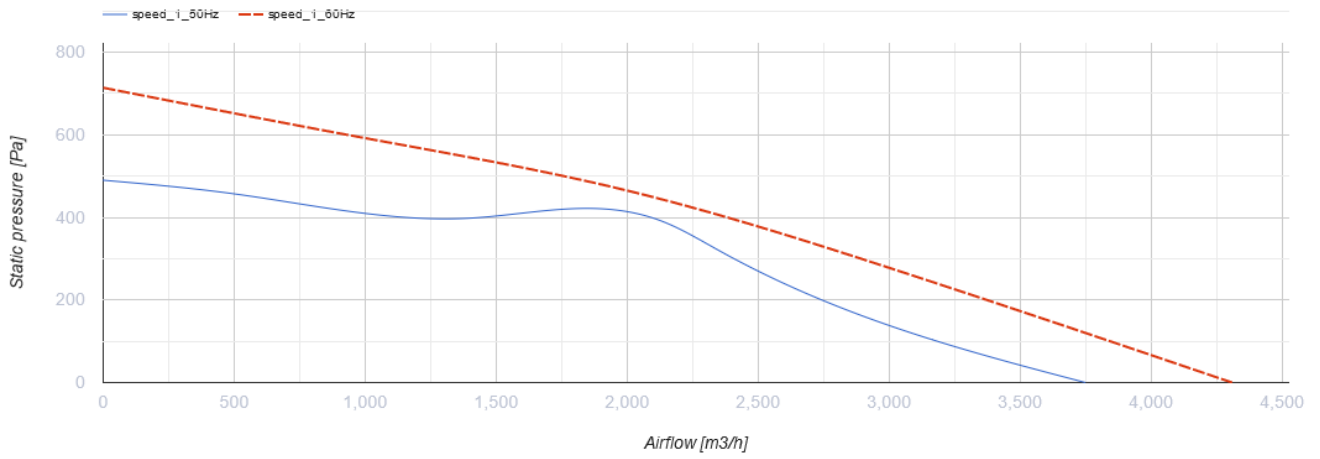


Iso-V 400 4E

Sound-insulated inline centrifugal fans

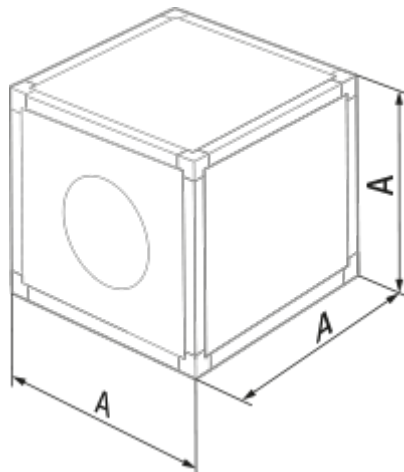
- Maximum airflow: 3750
- Sound pressure level LpA at 3 m: 51
- Sound insulation
- Motor type: AC
- Impeller type: Centrifugal backward curved blades
- Casing material: Aluzinc
- Installation in any position

	Unit of measurement	Iso-V 400 4E
Connected air duct size	mm	400
Speed	-	1
Minimum supply voltage	V	230
Maximum supply voltage	V	230
Power supply frequency	Hz	50/60
Rated power	W	480
Unit current	A	2.4
Maximum airflow	m ³ /h	3750
Sound pressure level LpA at 3 m	dB(A)	51
Weight	kg	39
Transported air temperature (max)	°C	80
Transported air temperature (min)	°C	-40
Ingress protection rating	-	IPX4



Dimensions

A
670



Ecodesign

Trademark	Blauberg
Model	Iso-V 400 4E
Type of ventilation unit	Unidirectional
Type of drive installed	External MSD or VSD
Type of heat recovery system	None
Nominal flow rate (m ³ /s)	0.653
Nominal external pressure (Pa)	320
Maximum external leakage rates (%)	2.7
Static efficiency (%)	44.4
Declared typology	NRVU UVU
Sound power level (dB(A))	73
Effective electric power input (kW)	0.48

Accessories

Thyristor speed controllers

Name	Photo	Description
CDT E1.8		Thyristor speed controller