

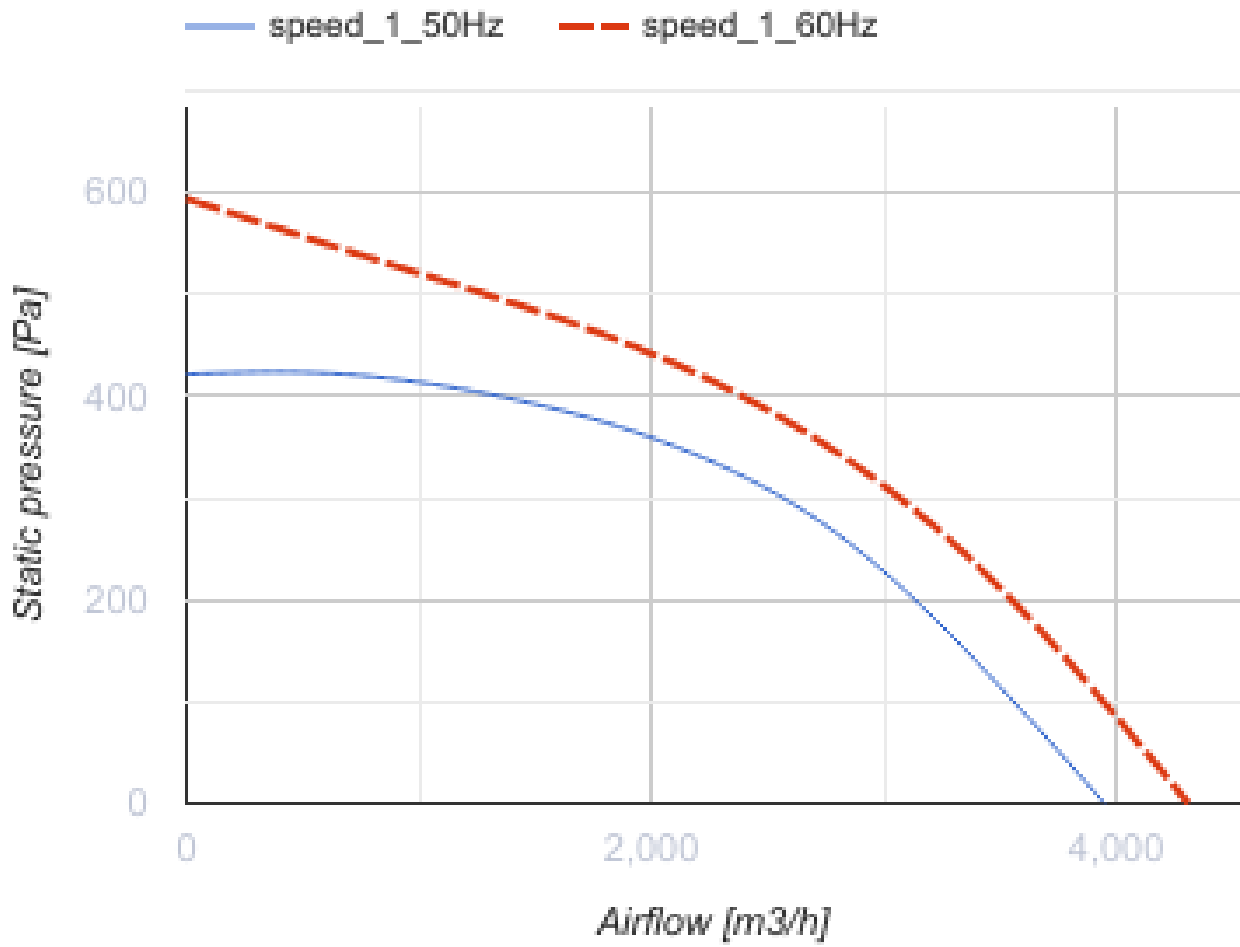


## Iso-V 400 4D

Centrifugal inline fans in sound-insulated casings

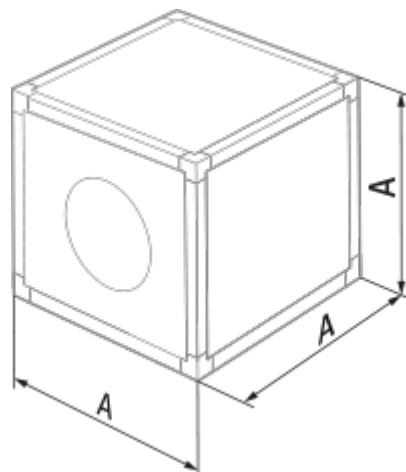
- Maximum airflow: 3950
- Sound pressure level LpA at 3 m: 51
- Sound insulation
- Motor type: AC
- Impeller type: Centrifugal backward curved blades
- Casing material: Aluzinc
- Installation in any position

	Unit of measurement	Iso-V 400 4D	
Connected air duct size	mm	400	
Speed	-	1	
Connection type	-	Δ	Y
Minimum supply voltage	V	400	
Maximum supply voltage	V	400	
Power supply frequency	Hz	50/60	
Rated power	W	515	385
Unit current	A	1.41	0.7
Maximum airflow	m <sup>3</sup> /h	3950	3340
Sound pressure level LpA at 3 m	dB(A)	51	47
Weight	kg	39	
Transported air temperature (max)	°C	60	
Transported air temperature (min)	°C	-40	
Ingress protection rating	-	IPX4	




### Dimensions

A
670



## Accessories

### Other accessories

Name	Photo	Description
<a href="#">CDT E1.8</a>		Thyristor speed controller