

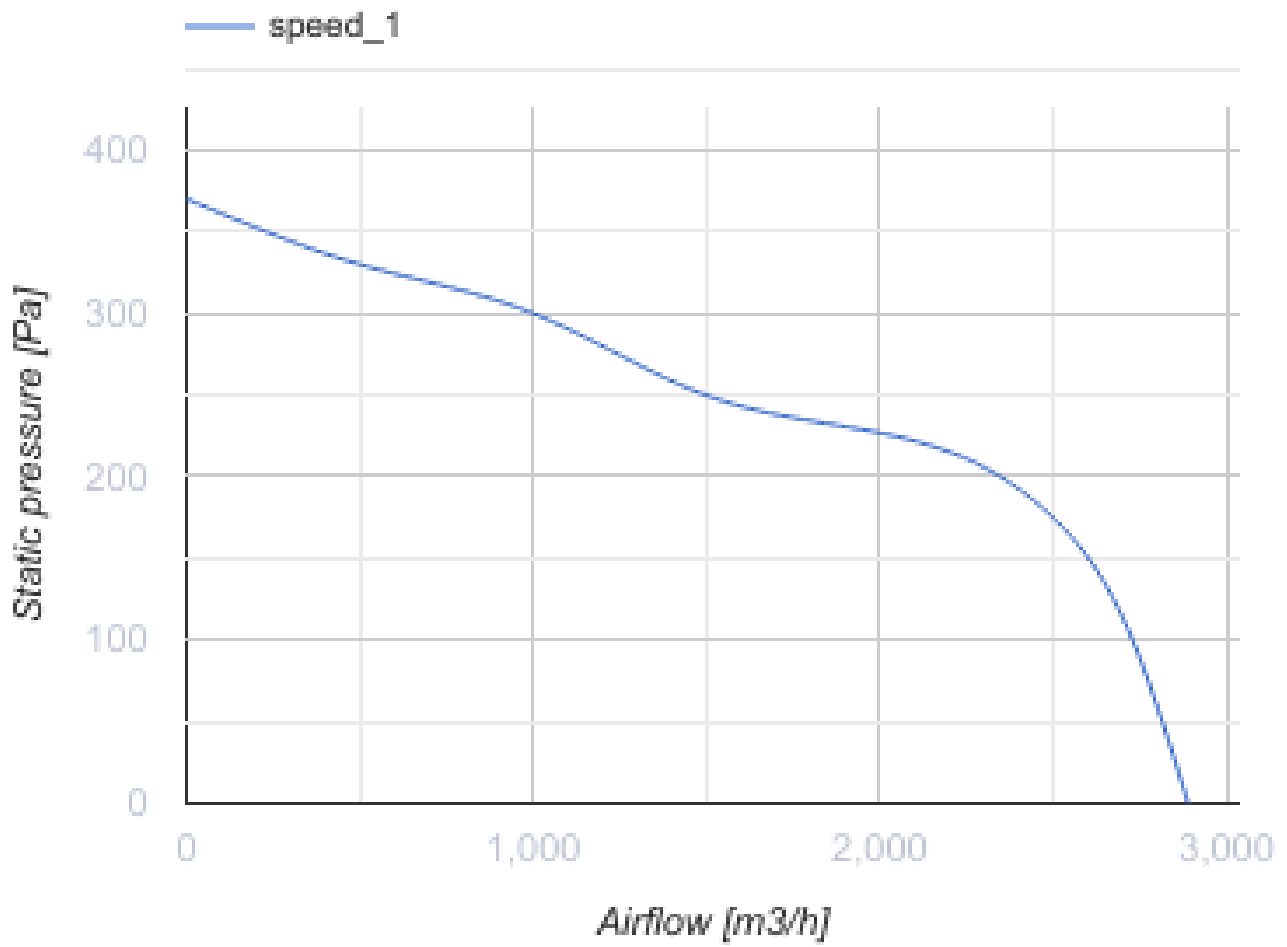


Iso-V 355 4E

Centrifugal inline fans in sound-insulated casings

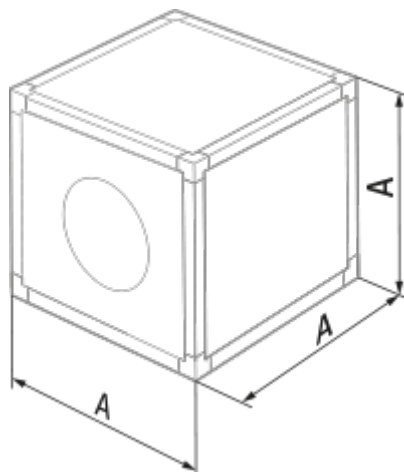
- Maximum airflow: 2890
- Sound pressure level LpA at 3 m: 54
- Sound insulation
- Motor type: AC
- Impeller type: Centrifugal backward curved blades
- Casing material: Aluzinc
- Installation in any position

	Unit of measurement	Iso-V 355 4E
Connected air duct size	mm	355
Speed	-	1
Minimum supply voltage	V	230
Maximum supply voltage	V	230
Power supply frequency	Hz	50
Rated power	W	245
Unit current	A	1.12
Maximum airflow	m ³ /h	2890
Sound pressure level LpA at 3 m	dB(A)	54
Weight	kg	25
Transported air temperature (max)	°C	50
Transported air temperature (min)	°C	-25
Ingress protection rating	-	IPX4



Dimensions

A
500




Ecodesign

Trademark	Blauberg
Model	Iso-V 355 4E
Type of ventilation unit	Unidirectional
Type of drive installed	External MSD or VSD
Type of heat recovery system	None
Nominal flow rate (m ³ /s)	0.464
Nominal external pressure (Pa)	226
Maximum external leakage rates (%)	2.7
Static efficiency (%)	40.8
Declared typology	NRVU UVU
Sound power level (dB(A))	74
Effective electric power input (kW)	0.262

Accessories

Other accessories

Name	Photo	Description
CDT E1.8		Thyristor speed controller