

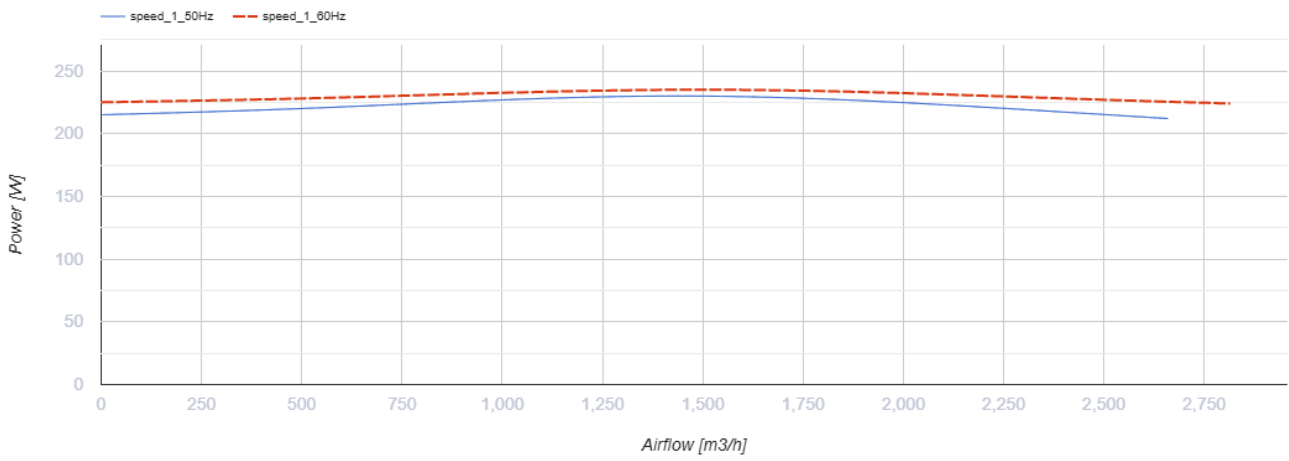
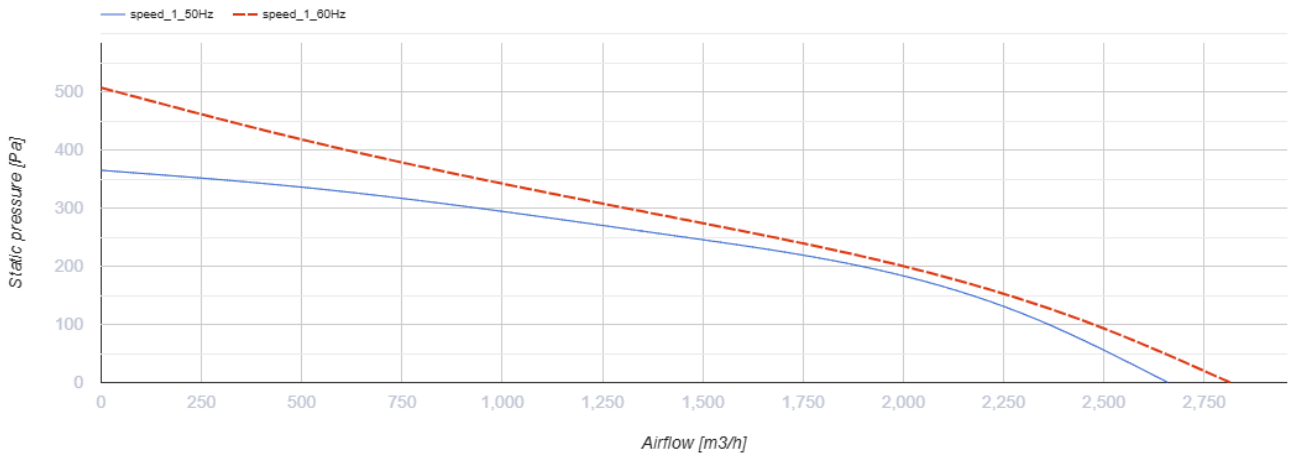


Iso-V 355 4D

Sound-insulated inline centrifugal fans

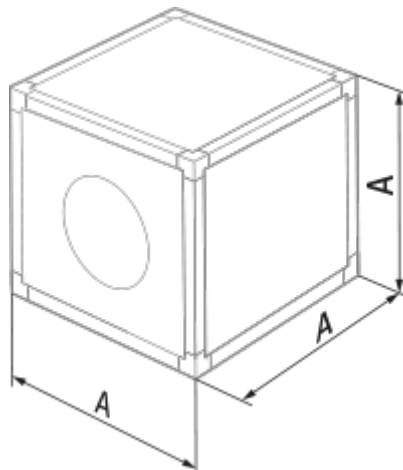
- Maximum airflow: 2660
- Sound pressure level LpA at 3 m: 53
- Sound insulation
- Motor type: AC
- Impeller type: Centrifugal backward curved blades
- Casing material: Aluzinc
- Installation in any position

	Unit of measurement	Iso-V 355 4D
Connected air duct size	mm	355
Speed	-	1
Connection type	-	Y
Minimum supply voltage	V	400
Maximum supply voltage	V	400
Power supply frequency	Hz	50/60
Rated power	W	230
Unit current	A	0.52
Maximum airflow	m ³ /h	2660
Sound pressure level LpA at 3 m	dB(A)	53
Weight	kg	25
Transported air temperature (max)	°C	70
Transported air temperature (min)	°C	-25
Ingress protection rating	-	IPX4



Dimensions

A
500




Ecodesign

Trademark	Blauberg
Model	Iso-V 355 4D
Type of ventilation unit	Unidirectional
Type of drive installed	External MSD or VSD
Type of heat recovery system	None
Nominal flow rate (m ³ /s)	0.401
Nominal external pressure (Pa)	251
Maximum external leakage rates (%)	2.7
Static efficiency (%)	44.7
Declared typology	NRVU UVU
Sound power level (dB(A))	73
Effective electric power input (kW)	0.23

Accessories

Thyristor speed controllers

Name	Photo	Description
CDT E1.8		Thyristor speed controller