

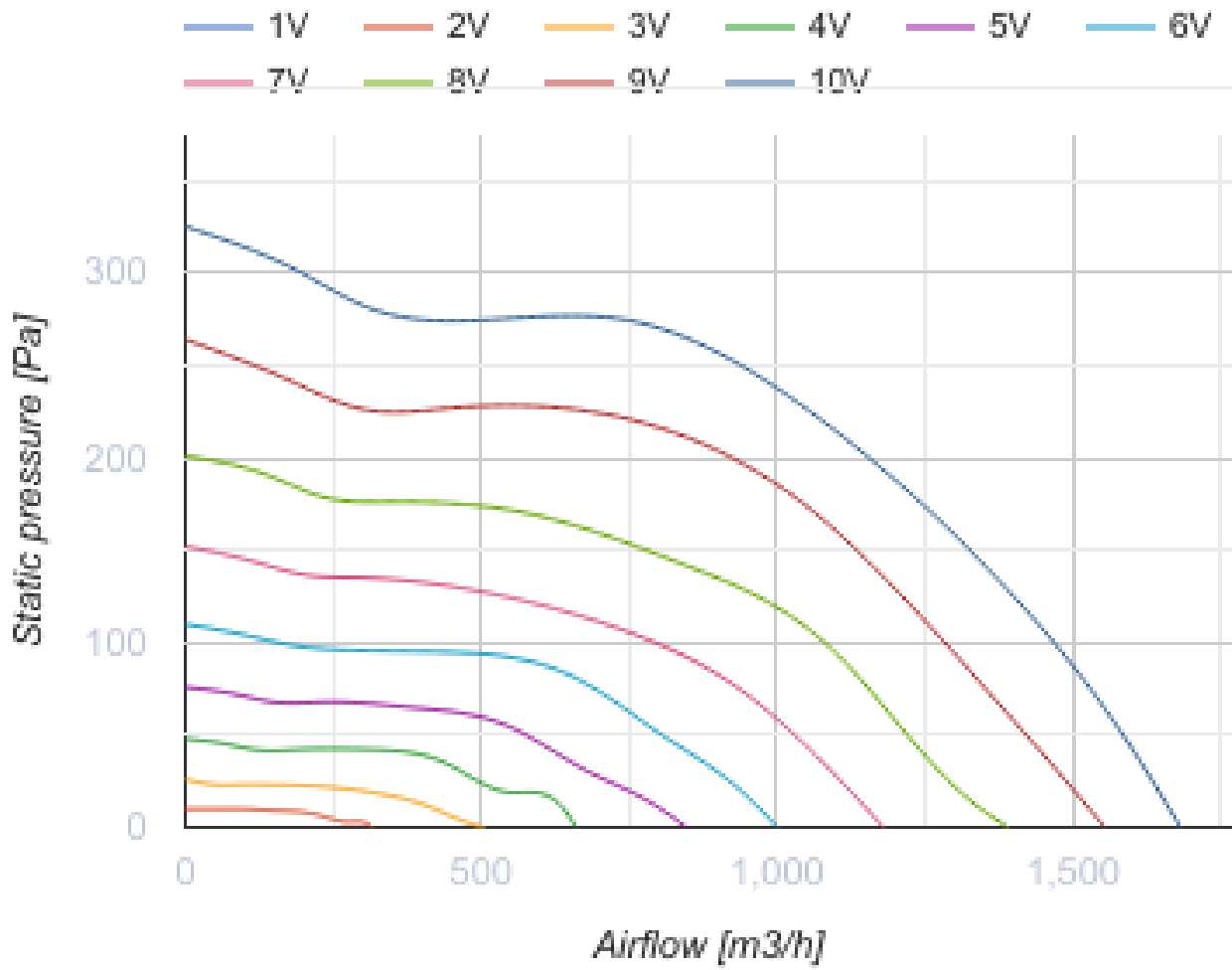
# ISO-RF EC 250

Sound-insulated inline centrifugal fans



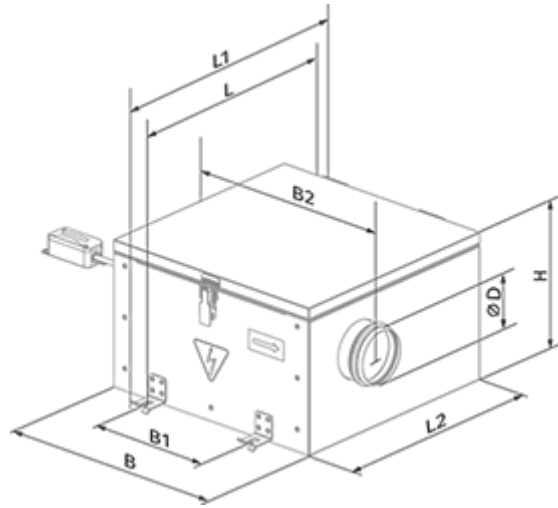
- Maximum airflow: 1682
- Sound pressure level LpA at 3 m: 41
- Sound insulation
- Motor type: EC
- Impeller type: Centrifugal forward curved blades
- Casing material: Aluzinc
- Installation in any position

	Unit of measurement	ISO-RF EC 250
Connected air duct size	mm	250
Speed	-	1
Minimum supply voltage	V	230
Maximum supply voltage	V	230
Power supply frequency	Hz	50/60
Rated power	W	374
Unit current	A	1.77
Maximum airflow	m <sup>3</sup> /h	1682
Sound pressure level LpA at 3 m	dB(A)	41
Weight	kg	33
Transported air temperature (max)	°C	50
Transported air temperature (min)	°C	-25
Ingress protection rating	-	IP44
Ingress protection rating of the drive	-	IP54



## Dimensions

ØD	B	B1	B2	H	L	L1	L2
247	665	487	742	405	650	699	606



## Ecodesign

Trademark	Blauberg					
Model	ISO-RF EC 250					
Specific energy consumption (SEC) (kWh/(m <sup>2</sup> /a))	Cold		Average		Warm	
	-32	B	-15	E	-6	F
Type of ventilation unit	Unidirectional					
Type of drive installed	Integrated VSD					
Type of heat recovery system	None					
Maximum flow rate (m <sup>3</sup> /h)	185					
Electric power input (W)	17					
Reference flow rate (m <sup>3</sup> /s)	0.036					
Nominal flow rate (m <sup>3</sup> /s)	0.209					
Nominal external pressure (Pa)	274					
Specific power input (SPI) (W/(m <sup>3</sup> /h))	0.059					
Control typology	Manual control					
Maximum external leakage rates (%)	2.7					
Static efficiency (%)	39.8					
Declared typology	NRVU UVU					
Sound power level (dB(A))	61					
Effective electric power input (kW)	0.168					
The annual electricity consumption (AEC) (kWh/a)	Cold		Average		Warm	
	100		100		100	
The annual heating saved (AHS) (kWh/a)	Cold		Average		Warm	
	3400		1700		800	





## Accessories

### EC motors regulators

Name	Photo	Description
<a href="#">CDT E/0-10</a>		Speed control for EC motors

### Humidity sensors

Name	Photo	Description
------	-------	-------------

<a href="#">TE / TI 1.5</a>		Timers
<a href="#">HSE / HSI 1.5</a>		Sensors
<a href="#">LSE / LSI 1.5</a>		Sensors
<a href="#">IRSE / IRSI 1.5</a>		Sensors