

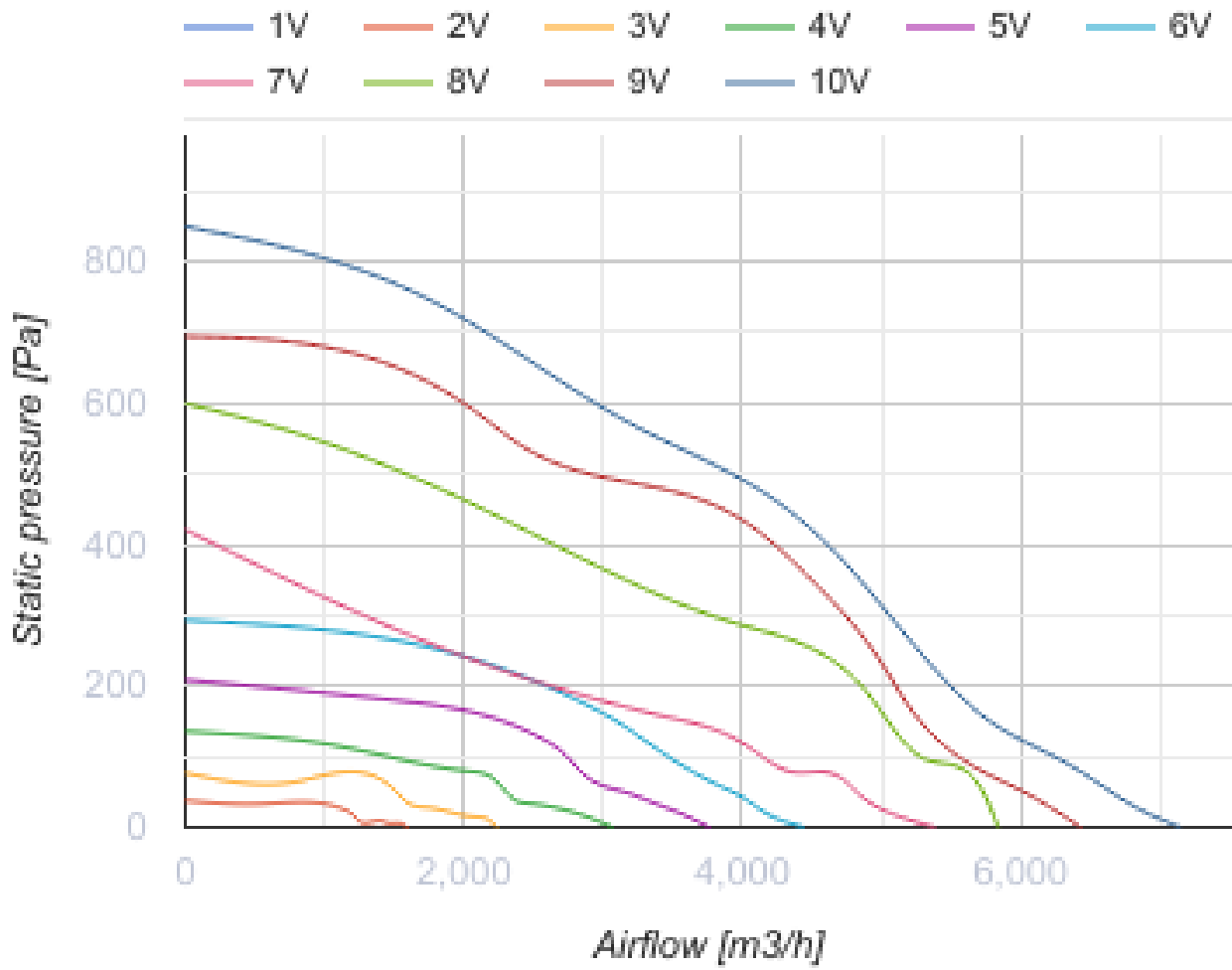
ISO-RB EC 500

Centrifugal inline fans with backward curved blades in cases with improved sound insulation properties with EC-motors



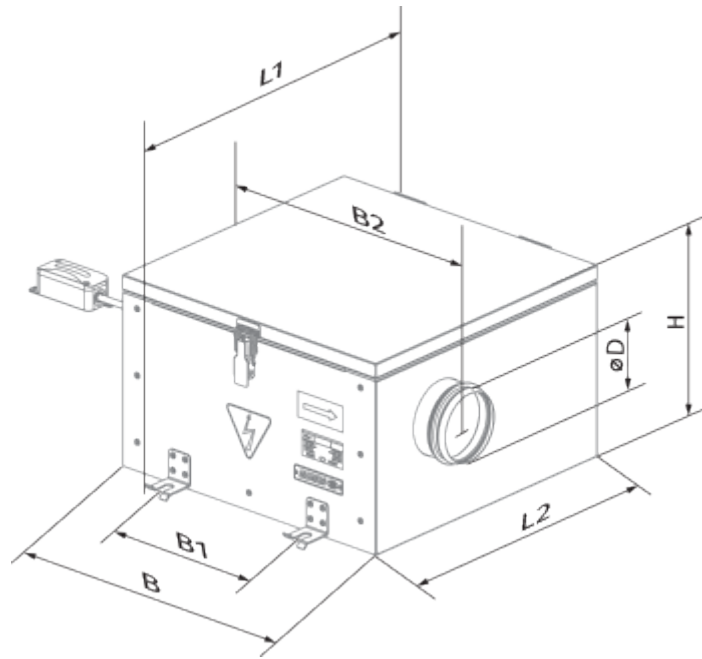
- Maximum airflow: 7145
- Sound pressure level LpA at 3 m: 56
- Sound insulation
- Motor type: EC
- Impeller type: Centrifugal backward curved blades
- Casing material: Aluzinc
- Installation in any position

	Unit of measurement	ISO-RB EC 500
Connected air duct size	mm	500
Speed	-	1
Minimum supply voltage	V	200
Maximum supply voltage	V	277
Power supply frequency	Hz	50/60
Rated power	W	752
Unit current	A	3.42
Maximum airflow	m ³ /h	7145
Sound pressure level LpA at 3 m	dB(A)	56
Weight	kg	86
Transported air temperature (max)	°C	55
Transported air temperature (min)	°C	-25
Ingress protection rating	-	IPX4
Ingress protection rating of the drive	-	IP54



Dimensions

ØD	B	B1	B2	H	L1	L2
499	1049	800	1146	660	1079	998



Ecodesign




Trademark	Blauberg
Model	ISO-RB EC 500
Type of ventilation unit	Unidirectional
Type of drive installed	Integrated VSD
Type of heat recovery system	None
Nominal flow rate (m ³ /s)	1.201
Nominal external pressure (Pa)	450
Maximum external leakage rates (%)	2.7
Static efficiency (%)	74.2
Declared typology	NRVU UVU
Sound power level (dB(A))	76
Effective electric power input (kW)	0.743

Accessories

Other accessories

Name	Photo	Description
CDT E/0-10		Speed control for EC motors

Other accessories

Name	Photo	Description
TE / TI 1.5		Timers
HSE / HSI 1.5		Sensors
LSE / LSI 1.5		Sensors

[IRSE / IRSI 1.5](#)



Sensors