

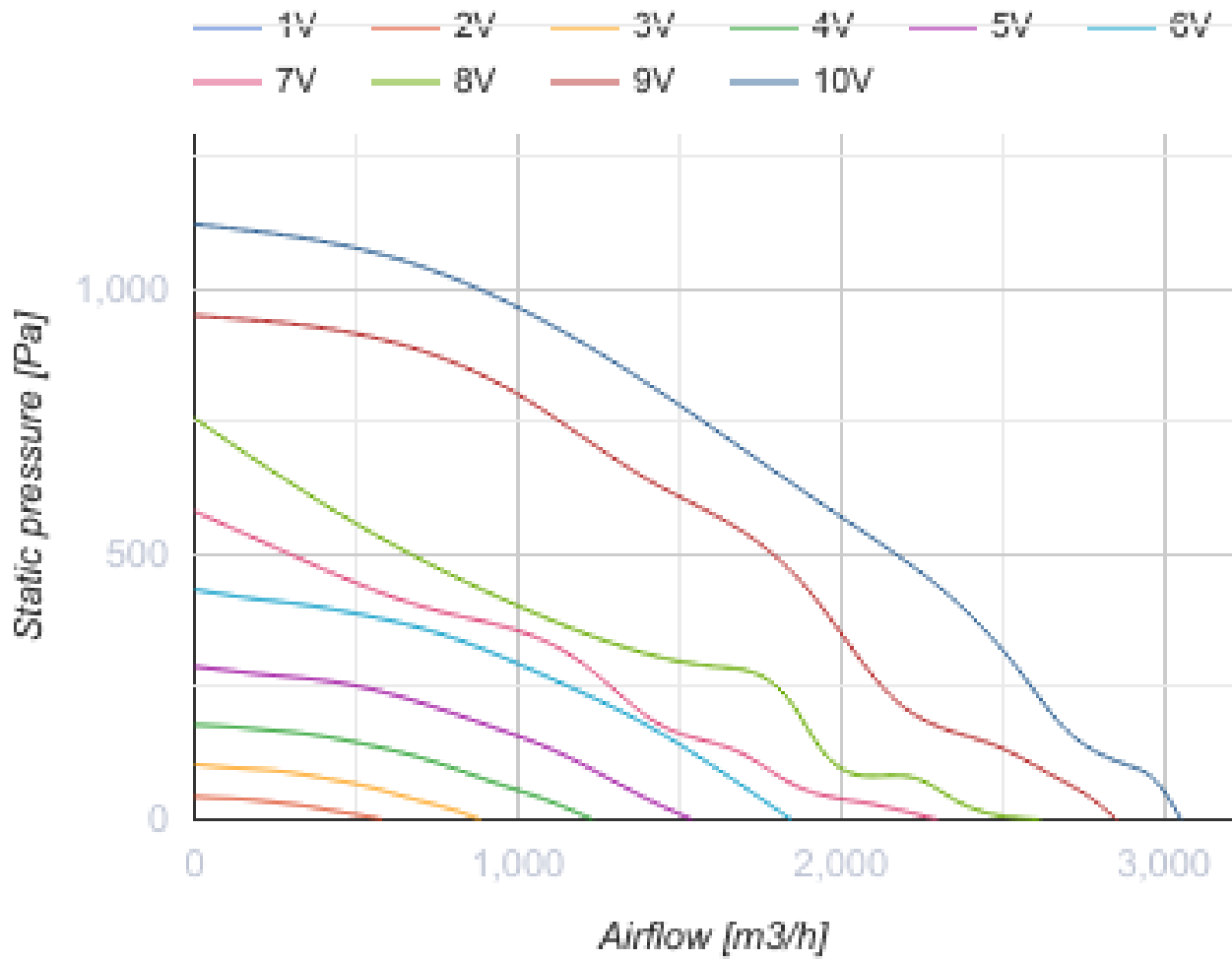
# ISO-RB EC 315

Sound-insulated inline centrifugal fans



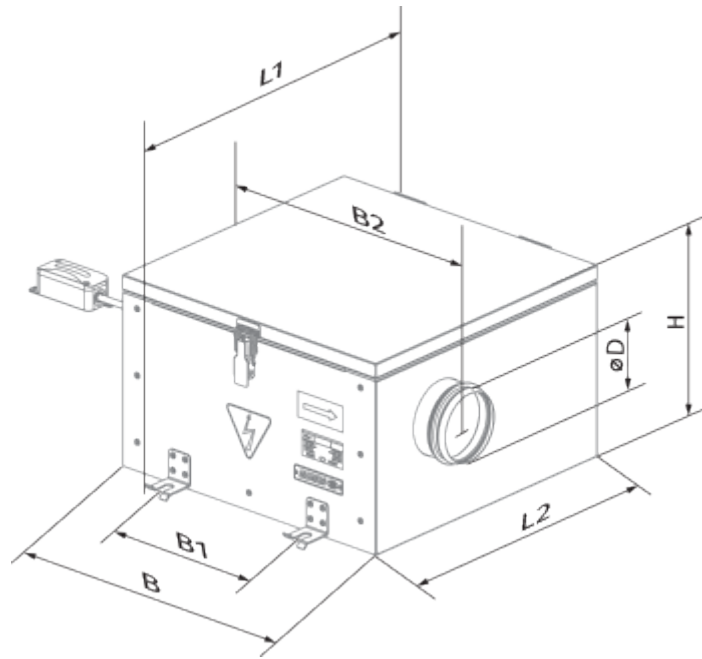
- Maximum airflow: 3053
- Sound pressure level LpA at 3 m: 47
- Sound insulation
- Motor type: EC
- Impeller type: Centrifugal backward curved blades
- Casing material: Aluzinc
- Installation in any position

	Unit of measurement	ISO-RB EC 315
Connected air duct size	mm	315
Speed	-	1
Minimum supply voltage	V	200
Maximum supply voltage	V	277
Power supply frequency	Hz	50/60
Rated power	W	531
Unit current	A	2.32
Maximum airflow	m <sup>3</sup> /h	3053
Sound pressure level LpA at 3 m	dB(A)	47
Weight	kg	47
Transported air temperature (max)	°C	55
Transported air temperature (min)	°C	-25
Ingress protection rating	-	IPX4
Ingress protection rating of the drive	-	IP54



## Dimensions

ØD	B	B1	B2	H	L1	L2
313	807	600	904	505	818	737



## Ecodesign




Trademark	Blauberg
Model	ISO-RB EC 315
Type of ventilation unit	Unidirectional
Type of drive installed	Integrated VSD
Type of heat recovery system	None
Nominal flow rate (m <sup>3</sup> /s)	0.399
Nominal external pressure (Pa)	809
Maximum external leakage rates (%)	2.7
Static efficiency (%)	62.3
Declared typology	NRVU UVU
Sound power level (dB(A))	67
Effective electric power input (kW)	0.528

## Accessories

### EC motors regulators

Name	Photo	Description
<a href="#">CDT E/0-10</a>		Speed control for EC motors

### Humidity sensors

Name	Photo	Description
<a href="#">TE / TI 1.5</a>		Timers
<a href="#">HSE / HSI 1.5</a>		Sensors
<a href="#">LSE / LSI 1.5</a>		Sensors

[IRSE / IRSI 1.5](#)



Sensors