

# Iso-Mix EC 315 W1

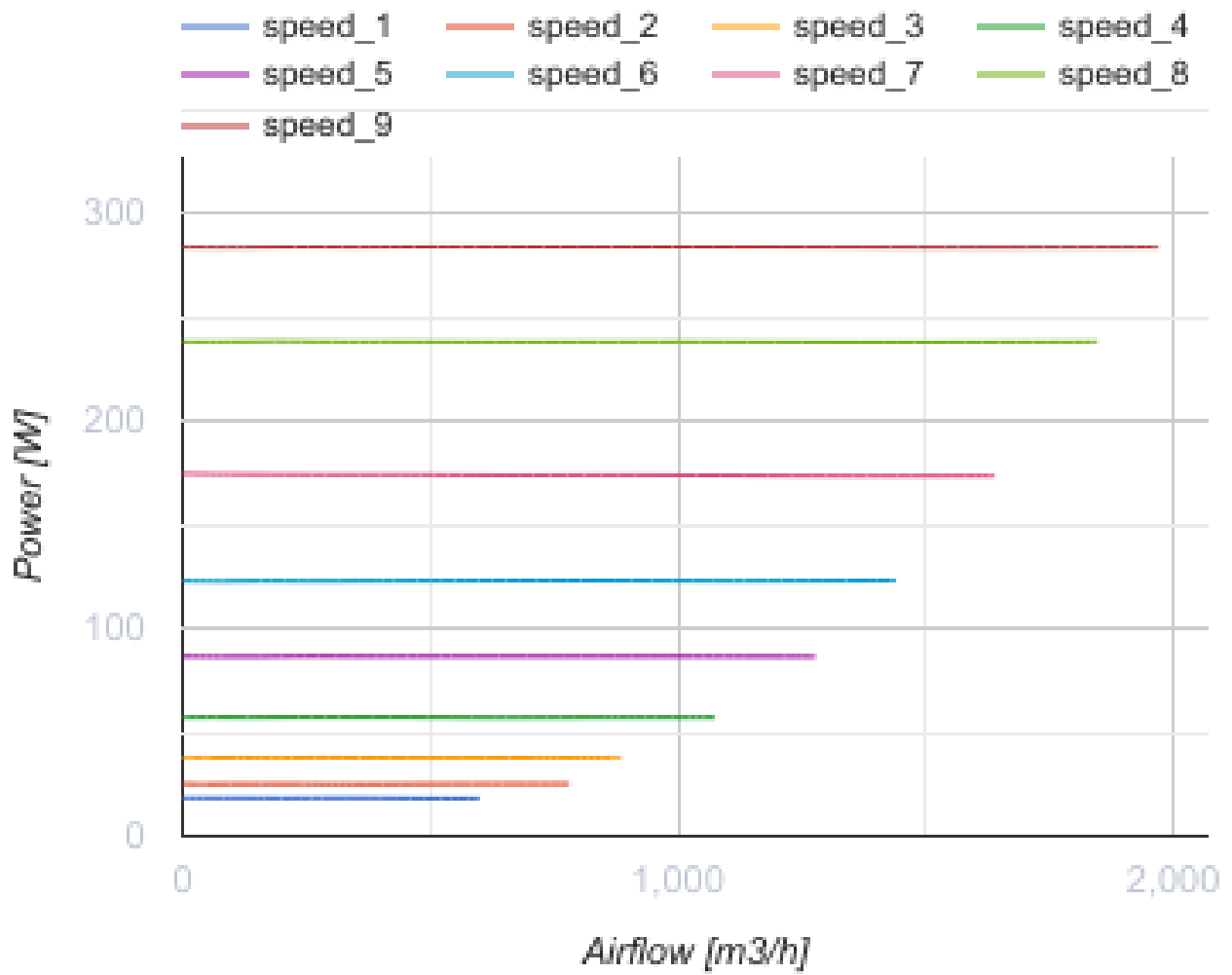
Sound-insulated inline mixed-flow fans with EC motor



- Maximum airflow: 1970
- Sound pressure level LpA at 3 m: 46
- Sound insulation
- Motor type: EC
- Impeller type: Mixed-flow
- Casing material: Coated steel
- Installation in any position
- Cable with mains plug

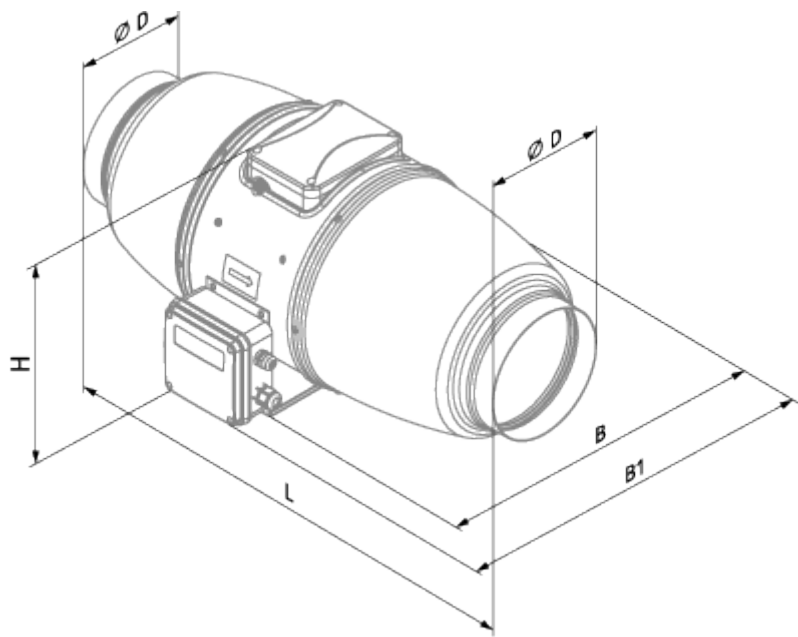
	Unit of measurement	Iso-Mix EC 315 W1
Connected air duct size	mm	315
Speed	-	1
Minimum supply voltage	V	230
Maximum supply voltage	V	230
Power supply frequency	Hz	50/60
Rated power	W	284
Unit current	A	1.25
Maximum airflow	m <sup>3</sup> /h	1970
Sound pressure level LpA at 3 m	dB(A)	46
Weight	kg	19.8
Transported air temperature (max)	°C	55
Transported air temperature (min)	°C	-25
Ingress protection rating	-	IPX4






## Dimensions

ØD	B	B1	L	H
313	478	528	455	785



## Accessories

### EC motors regulators

Name	Photo	Description
<a href="#">CDT E/0-10</a>		Speed control for EC motors