

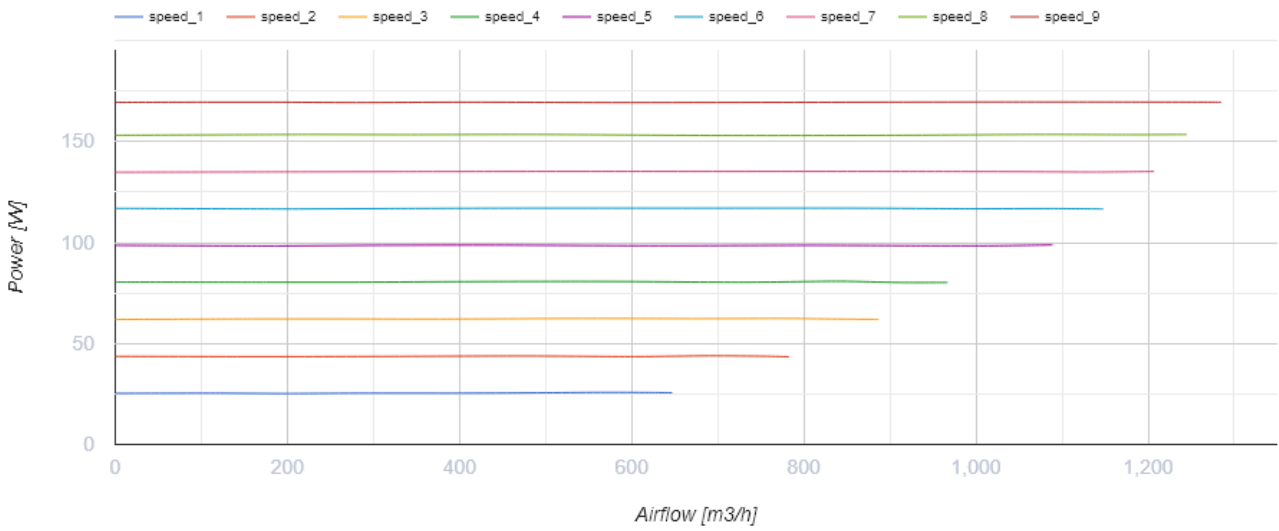
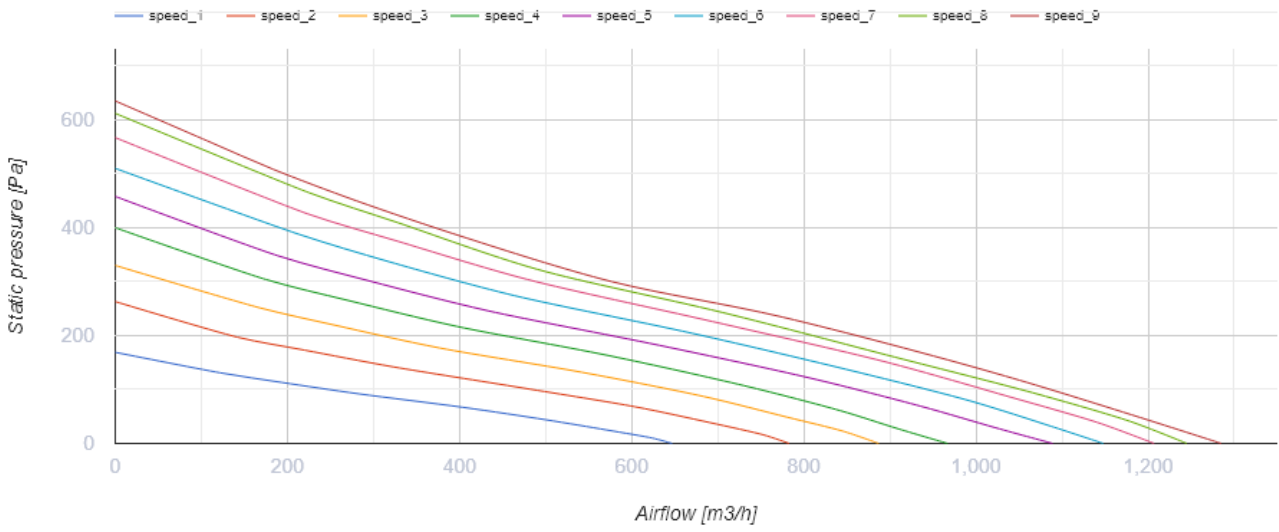
Iso-Mix EC 250 W1

Sound-insulated inline mixed-flow fans with EC motor



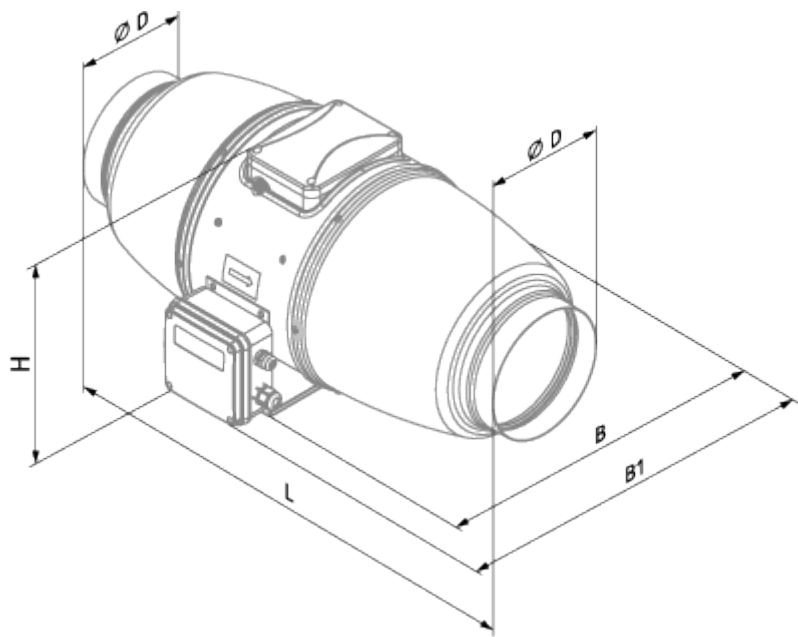
- Maximum airflow: 1285
- Sound pressure level LpA at 3 m: 42
- Sound insulation
- Motor type: EC
- Impeller type: Mixed-flow
- Casing material: Coated steel
- Installation in any position
- Cable with mains plug

| | Unit of measurement | Iso-Mix EC 250 W1 |
|-----------------------------------|---------------------|-------------------|
| Connected air duct size | mm | 250 |
| Speed | - | 1 |
| Minimum supply voltage | V | 230 |
| Maximum supply voltage | V | 230 |
| Power supply frequency | Hz | 50/60 |
| Rated power | W | 169 |
| Unit current | A | 1.38 |
| Maximum airflow | m ³ /h | 1285 |
| Sound pressure level LpA at 3 m | dB(A) | 42 |
| Weight | kg | 12.5 |
| Transported air temperature (max) | °C | 55 |
| Transported air temperature (min) | °C | -25 |
| Ingress protection rating | - | IPX4 |




Dimensions

| ØD | B | B1 | L | H |
|-----|-----|-----|-----|-----|
| 248 | 402 | 452 | 363 | 664 |



Accessories

EC motors regulators

| Name | Photo | Description |
|----------------------------|---|-----------------------------|
| CDT E/0-10 |  | Speed control for EC motors |