

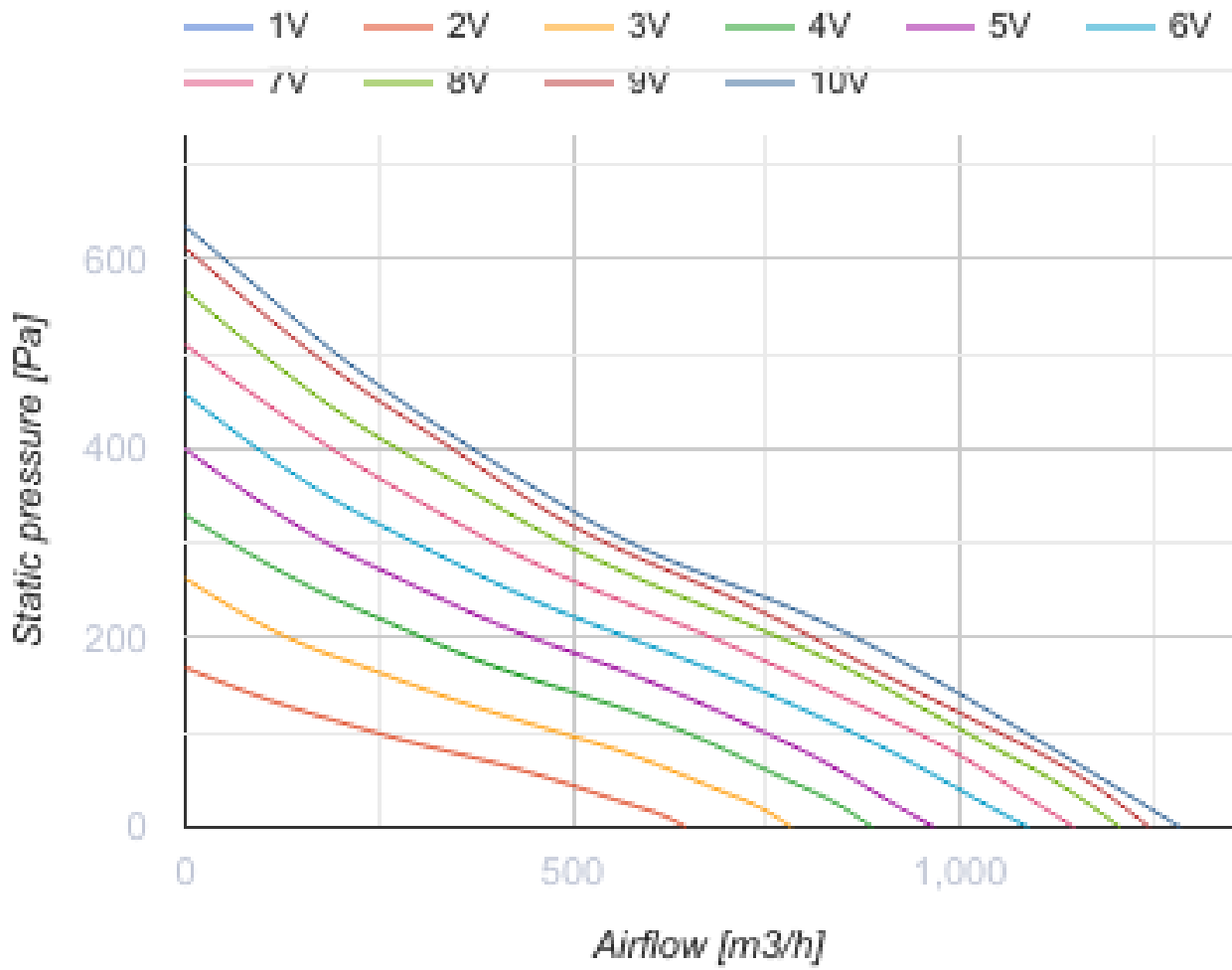
Iso-Mix EC 250

Sound-insulated inline mixed-flow fans with EC motor



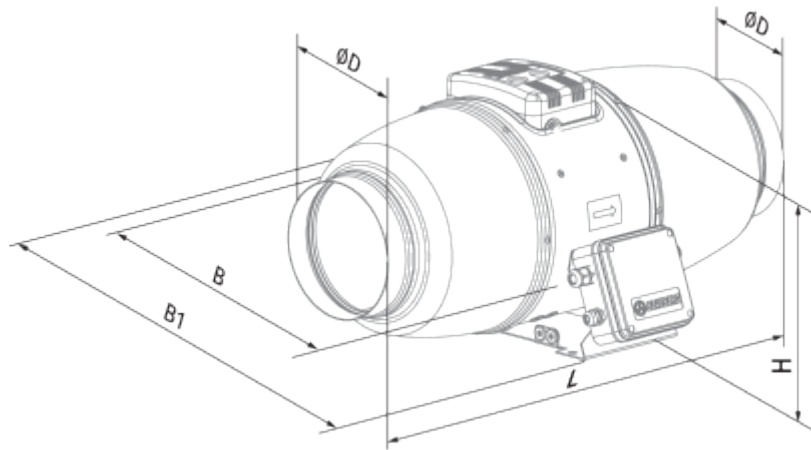
- Maximum airflow: 1285
- Sound pressure level LpA at 3 m: 42
- Sound insulation
- Motor type: EC
- Impeller type: Mixed-flow
- Casing material: Coated steel
- Installation in any position

| | Unit of measurement | Iso-Mix EC 250 |
|-----------------------------------|---------------------|----------------|
| Connected air duct size | mm | 250 |
| Speed | - | 1 |
| Minimum supply voltage | V | 230 |
| Maximum supply voltage | V | 230 |
| Power supply frequency | Hz | 50/60 |
| Rated power | W | 169 |
| Unit current | A | 1.38 |
| Maximum airflow | m ³ /h | 1285 |
| Sound pressure level LpA at 3 m | dB(A) | 42 |
| Weight | kg | 12.5 |
| Transported air temperature (max) | °C | 55 |
| Transported air temperature (min) | °C | -25 |
| Ingress protection rating | - | IPX4 |



Dimensions

| ØD | B | B1 | L | H |
|-----|-----|-----|-----|-----|
| 248 | 358 | 445 | 658 | 360 |



Ecodesign

| | |
|---------------------------------------|----------------|
| Trademark | Blauberg |
| Model | Iso-Mix EC 250 |
| Type of ventilation unit | Unidirectional |
| Type of drive installed | Integrated VSD |
| Type of heat recovery system | None |
| Nominal flow rate (m ³ /s) | 0.216 |
| Nominal external pressure (Pa) | 234 |
| Maximum external leakage rates (%) | 2.7 |
| Static efficiency (%) | 34.8 |
| Declared typology | NRVU UVU |
| Sound power level (dB(A)) | 62 |
| Effective electric power input (kW) | 0.169 |

Accessories

EC motors regulators

| Name | Photo | Description |
|----------------------------|---|-----------------------------|
| CDT E/0-10 |  | Speed control for EC motors |