

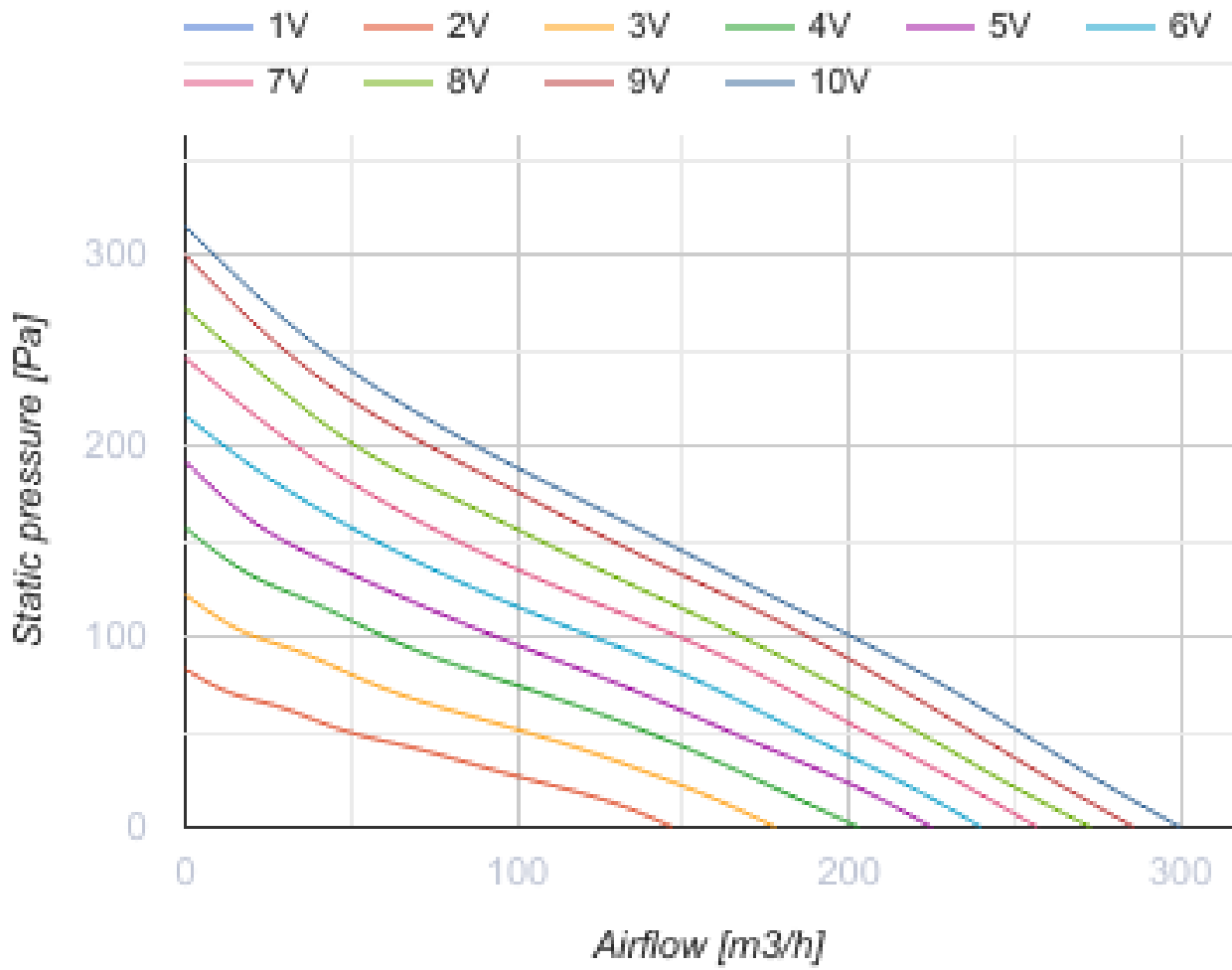
Iso-Mix EC 100

Sound-insulated inline mixed-flow fans with EC motor



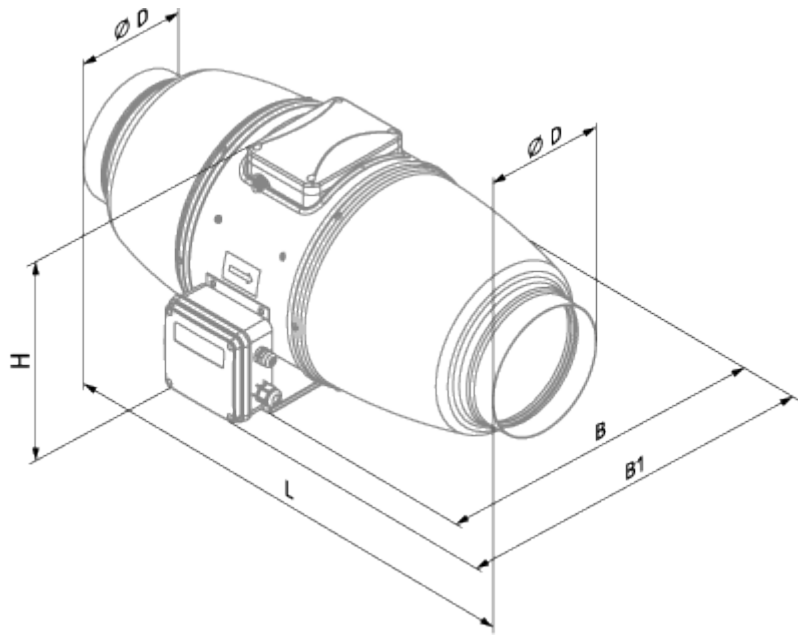
- Maximum airflow: 300
- Sound pressure level LpA at 3 m: 37
- Sound insulation
- Motor type: EC
- Impeller type: Mixed-flow
- Casing material: Coated steel
- Installation in any position

	Unit of measurement	Iso-Mix EC 100
Connected air duct size	mm	100
Speed	-	1
Minimum supply voltage	V	230
Maximum supply voltage	V	230
Power supply frequency	Hz	50/60
Rated power	W	30
Unit current	A	0.29
Maximum airflow	m ³ /h	300
Sound pressure level LpA at 3 m	dB(A)	37
Weight	kg	4.9
Transported air temperature (max)	°C	55
Transported air temperature (min)	°C	-25
Ingress protection rating	-	IPX4

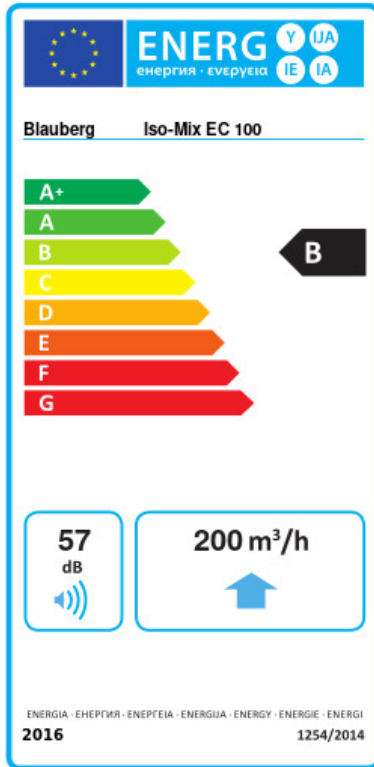


Dimensions

ØD	B	B1	L	H
98	243	283	234	505



Ecodesign



Trademark	Blaubeerg					
Model	Iso-Mix EC 100					
Specific energy consumption (SEC) (kWh/(m ² /a))	Cold	Average		Warm		
	-53.9	A+	-26.9	B	-11.4	E
Type of ventilation unit	Unidirectional					
Type of drive installed	Variable speed					
Type of heat recovery system	None					
Maximum flow rate (m ³ /h)	200					
Electric power input (W)	30					
Reference flow rate (m ³ /s)	0.039					
Reference pressure difference (Pa)	50					
Specific power input (SPI) (W/(m ³ /h))	0.109					
Control typology	Local demand control					
Maximum external leakage rates (%)	2.7					
Declared typology	RVU UVU					
Sound power level (dB(A))	57					
The annual electricity consumption (AEC) (kWh/a)	Cold	Average		Warm		
	58	58		58		
The annual heating saved (AHS) (kWh/a)	Cold	Average		Warm		
	5536	2830		1280		

Accessories

EC motors regulators

Name	Photo	Description
CDT E/0-10		Speed control for EC motors