

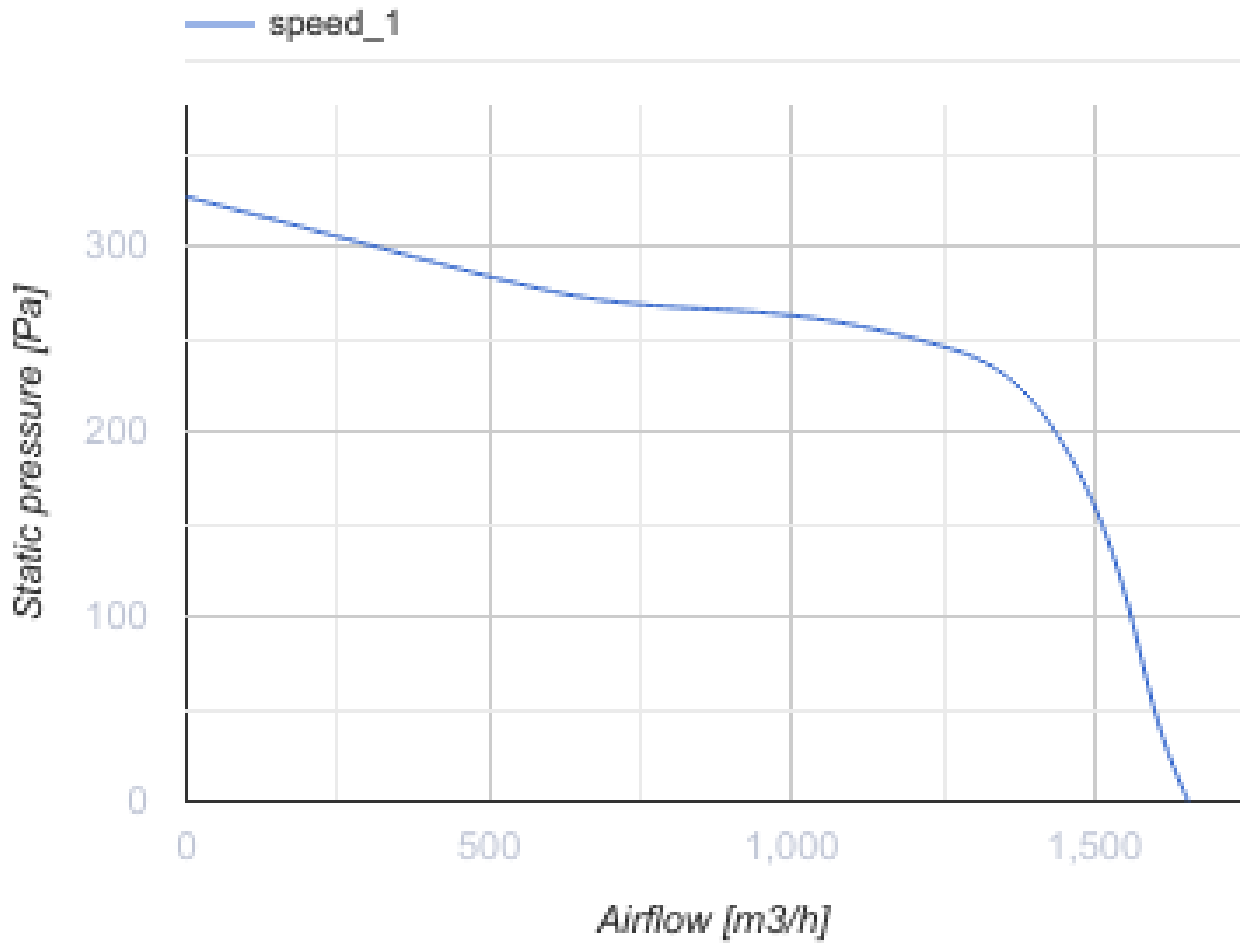


## Iso-K 200 4D

Sound-insulated inline fans

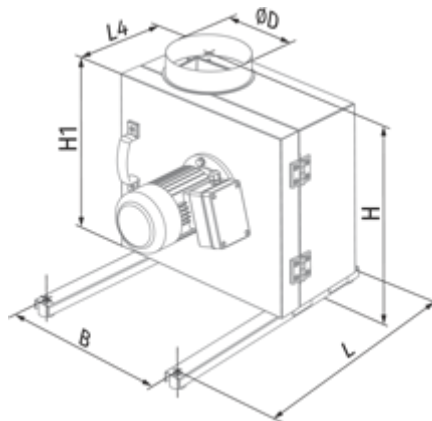
- Maximum airflow: 1650
- Sound pressure level LpA at 3 m: 45
- Sound insulation
- Motor type: AC
- Impeller type: Centrifugal forward curved blades
- Casing material: Galvanized steel

	Unit of measurement	Iso-K 200 4D
Connected air duct size	mm	200
Speed	-	1
Minimum supply voltage	V	400
Maximum supply voltage	V	400
Power supply frequency	Hz	50
Rated power	W	750
Unit current	A	2
Maximum airflow	m <sup>3</sup> /h	1650
Sound pressure level LpA at 3 m	dB(A)	45
Weight	kg	25
Transported air temperature (max)	°C	120
Transported air temperature (min)	°C	-20
Ingress protection rating	-	IP54



## Dimensions

Ø D	B	B1	H	H1	L	L1	L2	L3	L4
200	485	365	600	425	625	600	570	515	235





## Ecodesign

Trademark	Blauberg
Model	Iso-K 200 4D
Type of ventilation unit	Unidirectional
Type of drive installed	External MSD or VSD
Type of heat recovery system	None
Nominal flow rate (m <sup>3</sup> /s)	0.306
Nominal external pressure (Pa)	257
Maximum external leakage rates (%)	2.7
Static efficiency (%)	27.3
Declared typology	NRVU UVU
Sound power level (dB(A))	65
Effective electric power input (kW)	0.294