

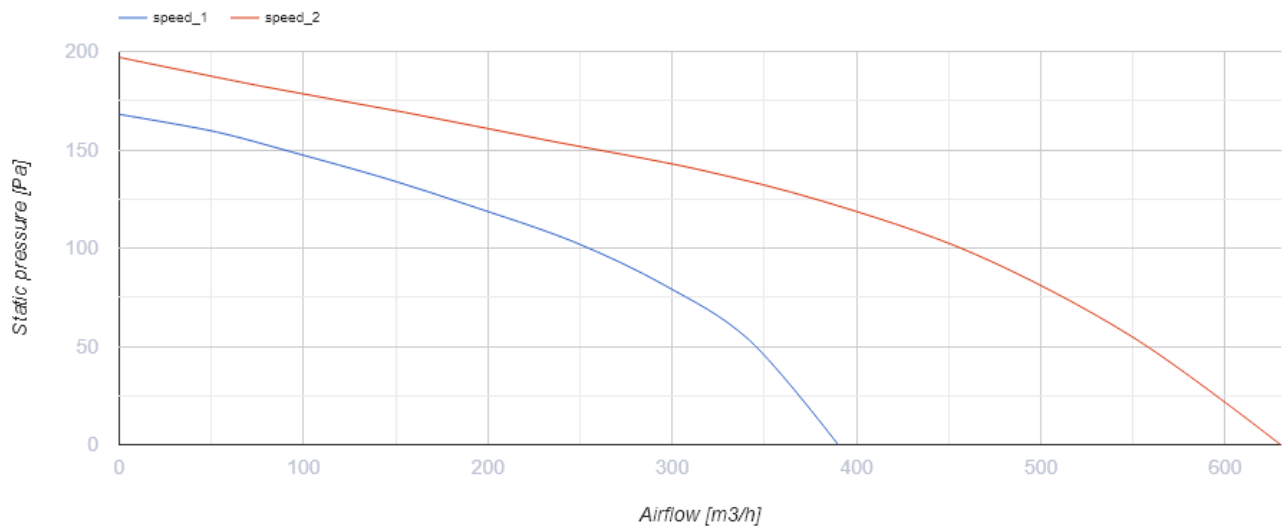
# Iso Box-F 200 G4 V2

Sound-insulated inline centrifugal fans with filters



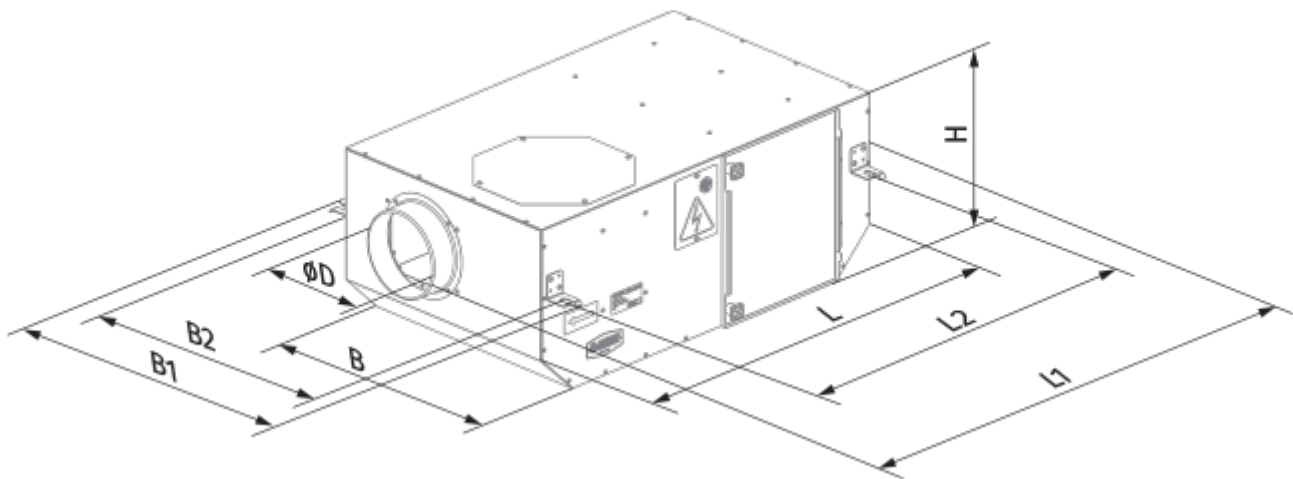
- Maximum airflow: 630
- Sound pressure level LpA at 3 m: 38
- Sound insulation
- Motor type: AC
- Impeller type: Centrifugal backward curved blades
- Casing material: Coated steel
- Installation in any position

	Unit of measurement	Iso Box-F 200 G4 V2	
Connected air duct size	mm	200	
Speed	-	2	
Minimum supply voltage	V	230	
Maximum supply voltage	V	230	
Power supply frequency	Hz	50	
Rated power	W	106	123
Unit current	A	0.47	0.59
Maximum airflow	m <sup>3</sup> /h	390	630
Sound pressure level LpA at 3 m	dB(A)	22	38
Weight	kg	18.78	
Transported air temperature (max)	°C	40	
Transported air temperature (min)	°C	-25	
Ingress protection rating	-	IPX4	
Ingress protection rating of the drive	-	IP44	

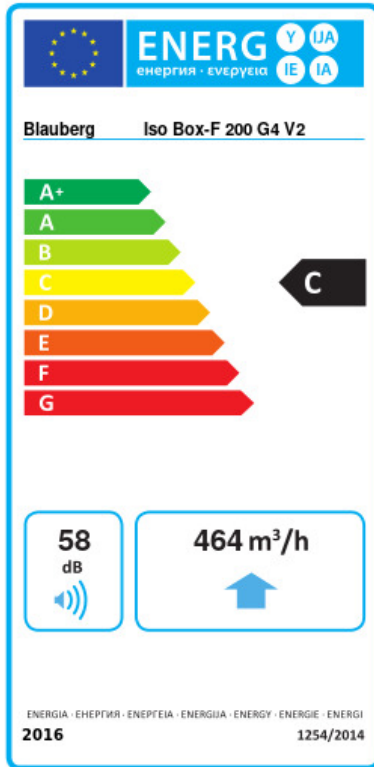


## Dimensions

ØD	L	H	B	L1	B1	L2	B2
200	735	300	605	835	698	680	648



## Ecodesign



Trademark	Blauberg			
Model	Iso Box-F 200 G4 V2			
Specific energy consumption (SEC) (kWh/(m <sup>2</sup> /a))	Cold	Average	Warm	
	-50.6	A+	-23.5	C -8 F
Type of ventilation unit	Unidirectional			
Type of drive installed	2-speed			
Type of heat recovery system	None			
Maximum flow rate (m <sup>3</sup> /h)	464			
Electric power input (W)	119			
Reference flow rate (m <sup>3</sup> /s)	0.09			
Reference pressure difference (Pa)	50			
Specific power input (SPI) (W/(m <sup>3</sup> /h))	0.256			
Control typology	Local demand control			
Maximum external leakage rates (%)	2.7			
Declared typology	RVU UVU			
Sound power level (dB(A))	58			
The annual electricity consumption (AEC) (kWh/a)	Cold	Average	Warm	
	192	192	192	
The annual heating saved (AHS) (kWh/a)	Cold	Average	Warm	
	5536	2830	1280	

## Accessories

### Other accessories

Name	Photo	Description
<a href="#">CDT E1.8</a>		Thyristor speed controller
<a href="#">CDP-2/10</a>		Multi-speed switch