

# Iso Box-F 200 G4/H13/Carbon V2

Sound-insulated inline centrifugal fans with filters

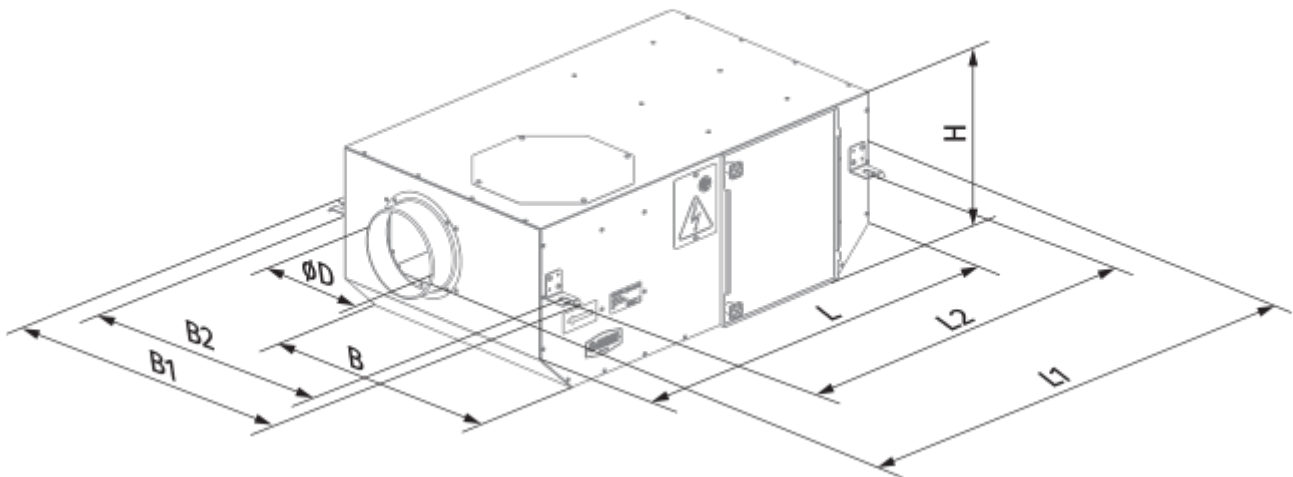


- Maximum airflow: 525
- Sound pressure level LpA at 3 m: 38
- Sound insulation
- Motor type: AC
- Impeller type: Centrifugal backward curved blades
- Casing material: Coated steel
- Installation in any position

	Unit of measurement	Iso Box-F 200 G4/H13/Carbon V2	
Connected air duct size	mm	200	
Speed	-	2	
Minimum supply voltage	V	230	
Maximum supply voltage	V	230	
Power supply frequency	Hz	50	
Rated power	W	97	119
Unit current	A	0.43	0.55
Maximum airflow	m <sup>3</sup> /h	350	525
Sound pressure level LpA at 3 m	dB(A)	22	38
Weight	kg	20.32	
Transported air temperature (max)	°C	40	
Transported air temperature (min)	°C	-25	
Ingress protection rating	-	IPX4	
Ingress protection rating of the drive	-	IP44	



## Dimensions

ØD	L	H	B	L1	B1	L2	B2
200	735	300	605	835	698	680	648



## Accessories

### Other accessories

Name	Photo	Description
<a href="#">CDT E1.8</a>		Thyristor speed controller
<a href="#">CDP-2/10</a>		Multi-speed switch