

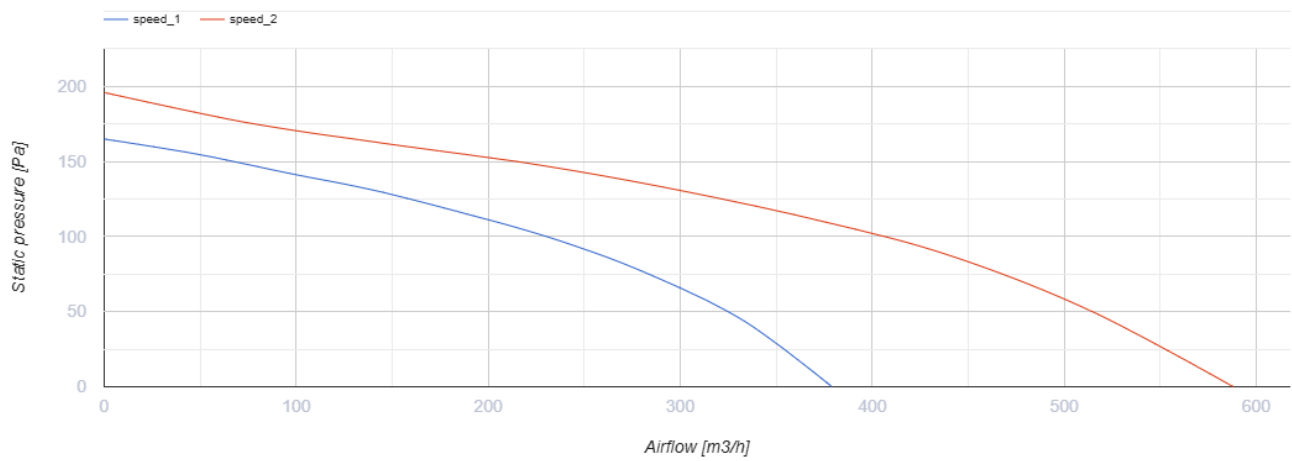
Iso Box-F 200 G4/F8 V2

Centrifugal inline fans with forward curved blades in sound-insulated casings with filters



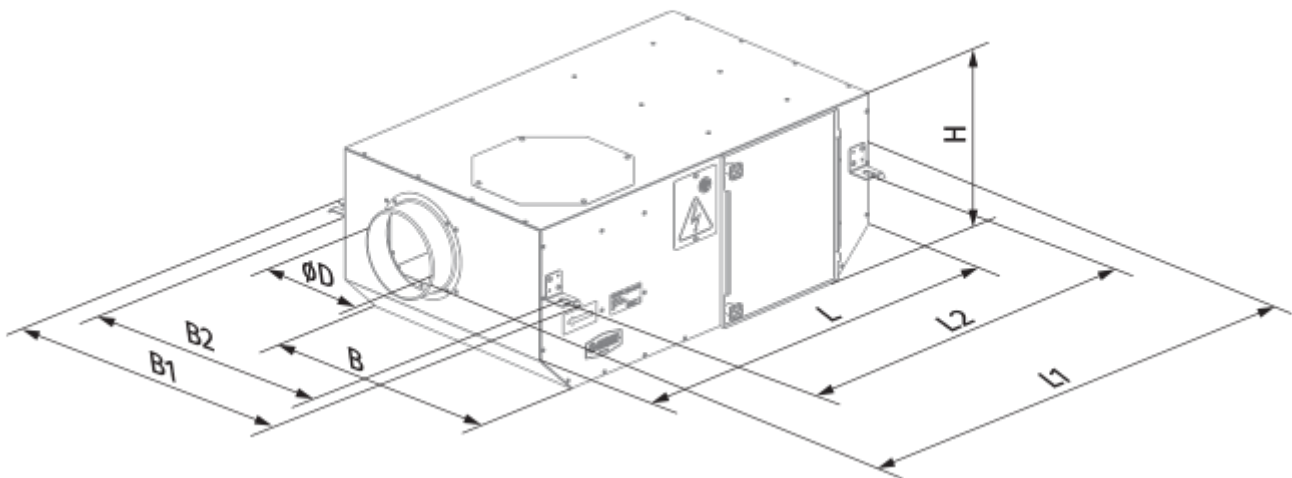
- Maximum airflow: 590
- Sound pressure level LpA at 3 m: 38
- Sound insulation
- Motor type: AC
- Impeller type: Centrifugal impeller with backward curved blades
- Casing material: Coated steel
- Installation in any position

	Unit of measurement	Iso Box-F 200 G4/F8 V2	
Connected air duct size	mm	200	
Speed	-	2	
Minimum supply voltage	V	230	
Maximum supply voltage	V	230	
Power supply frequency	Hz	50	
Rated power	W	103	121
Unit current	A	0.45	0.57
Maximum airflow	m ³ /h	380	590
Sound pressure level LpA at 3 m	dB(A)	22	38
Weight	kg	19.1	
Transported air temperature (max)	°C	40	
Transported air temperature (min)	°C	-25	
Ingress protection rating	-	IPX4	
Ingress protection rating of the drive	-	IP44	

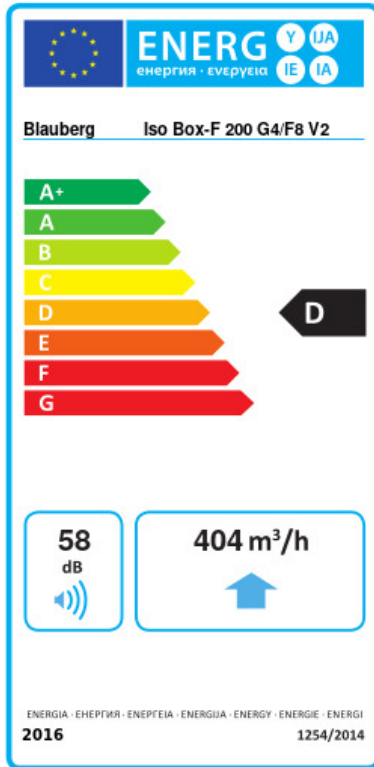


Dimensions

ØD	L	H	B	L1	B1	L2	B2
200	735	300	605	835	698	680	648



Ecodesign



Trademark	Blaubeerg					
Model	Iso Box-F 200 G4/F8 V2					
Specific energy consumption (SEC) (kWh/(m ² /a))	Cold		Average		Warm	
	-50	A+	-22.9	D	-7.4	F
Type of ventilation unit	Unidirectional					
Type of drive installed	2-speed					
Type of heat recovery system	None					
Maximum flow rate (m ³ /h)	404					
Electric power input (W)	116					
Reference flow rate (m ³ /s)	0.079					
Reference pressure difference (Pa)	50					
Specific power input (SPI) (W/(m ³ /h))	0.287					
Control typology	Local demand control					
Maximum external leakage rates (%)	2.7					
Declared typology	RVU UVU					
Sound power level (dB(A))	58					
The annual electricity consumption (AEC) (kWh/a)	Cold		Average		Warm	
	214		214		214	
The annual heating saved (AHS) (kWh/a)	Cold		Average		Warm	
	5536		2830		1280	

Accessories

Other accessories

Name	Photo	Description
CDT E1.8		Thyristor speed controller
CDP-2/10		Multi-speed switch