

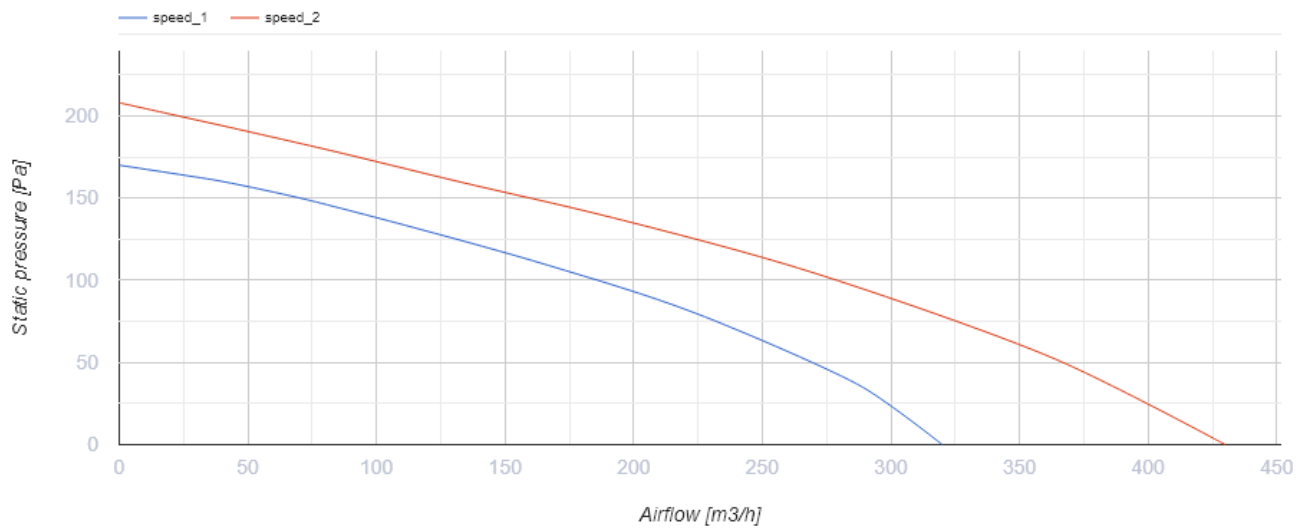
Iso Box-F 150 G4 V2

Sound-insulated inline centrifugal fans with filters



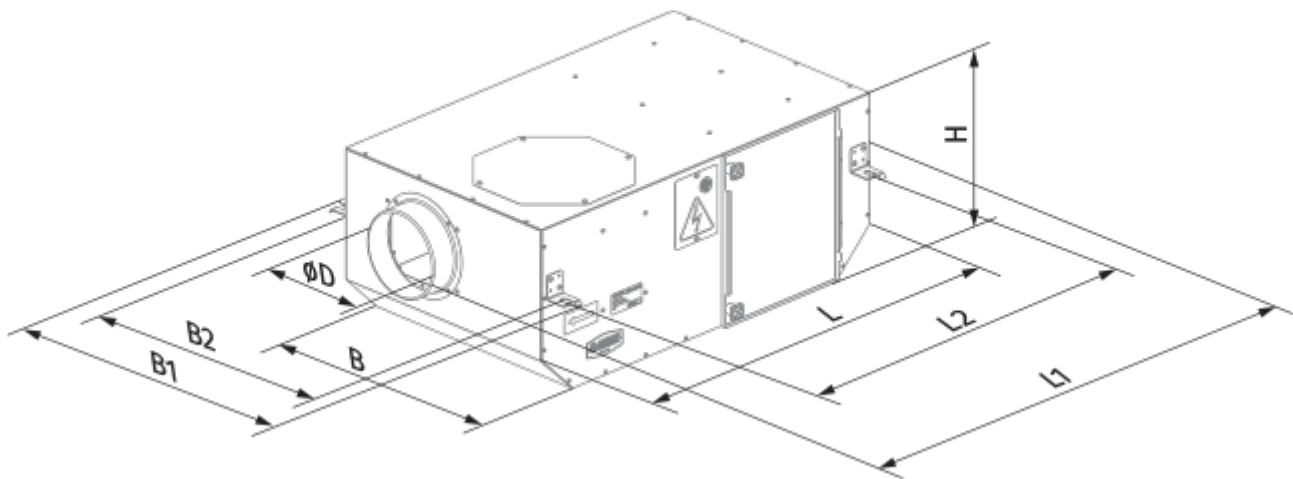
- Maximum airflow: 430
- Sound pressure level LpA at 3 m: 27
- Sound insulation
- Motor type: AC
- Impeller type: Centrifugal impeller with backward curved blades
- Casing material: Coated steel
- Installation in any position

	Unit of measurement	Iso Box-F 150 G4 V2	
Connected air duct size	mm	150	
Speed	-	2	
Minimum supply voltage	V	230	
Maximum supply voltage	V	230	
Power supply frequency	Hz	50	
Rated power	W	92	117
Unit current	A	0.41	0.55
Maximum airflow	m ³ /h	320	430
Sound pressure level LpA at 3 m	dB(A)	16	27
Weight	kg	15.92	
Transported air temperature (max)	°C	40	
Transported air temperature (min)	°C	-25	
Ingress protection rating	-	IPX4	
Ingress protection rating of the drive	-	IP44	

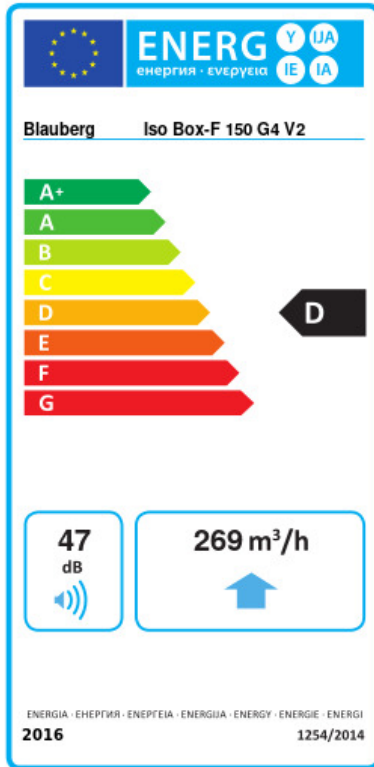


Dimensions

ØD	L	H	B	L1	B1	L2	B2
150	735	300	440	835	533	680	483



Ecodesign



Trademark	Blaubeerg		
Model	Iso Box-F 150 G4 V2		
Specific energy consumption (SEC) (kWh/(m ² /a))	Cold	Average	Warm
	-47.8	A+	-20.7
Type of ventilation unit	Unidirectional		
Type of drive installed	2-speed		
Type of heat recovery system	None		
Maximum flow rate (m ³ /h)	269		
Electric power input (W)	109		
Reference flow rate (m ³ /s)	0.052		
Reference pressure difference (Pa)	50		
Specific power input (SPI) (W/(m ³ /h))	0.405		
Control typology	Local demand control		
Maximum external leakage rates (%)	2.7		
Declared typology	RVU UVU		
Sound power level (dB(A))	47		
The annual electricity consumption (AEC) (kWh/a)	Cold	Average	Warm
	303	303	303
The annual heating saved (AHS) (kWh/a)	Cold	Average	Warm
	5536	2830	1280

Accessories

Thyristor speed controllers

Name	Photo	Description
CDT E1.8		Thyristor speed controller

Speed control switches

Name	Photo	Description
------	-------	-------------

[CDP-2/10](#)



Multi-speed switch