

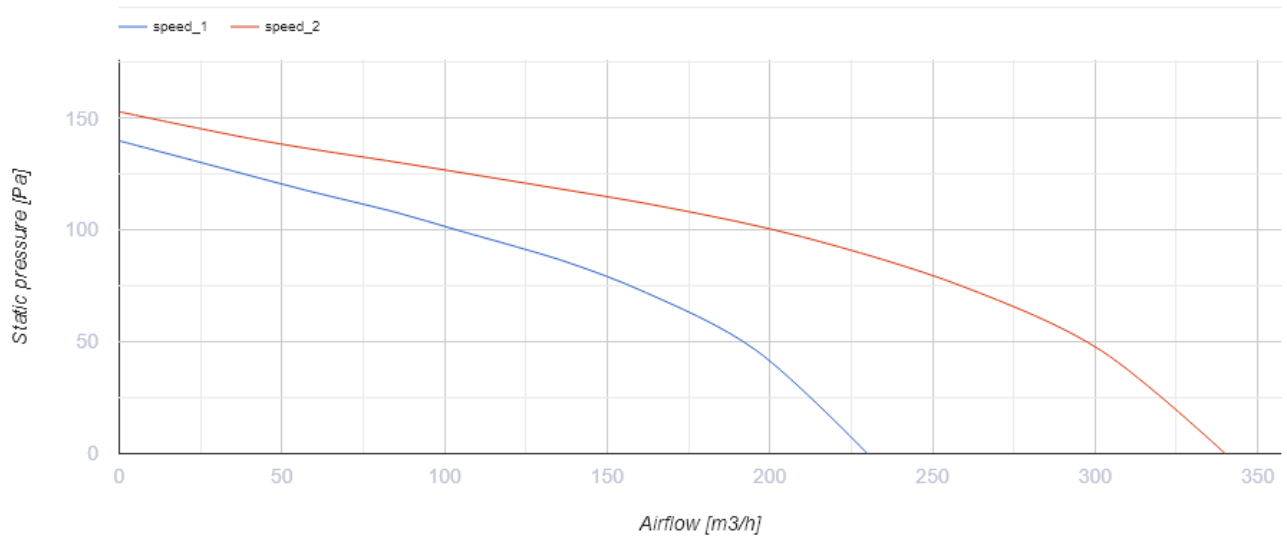
Iso Box-F 150 G4 L V2

Centrifugal inline fans with forward curved blades in sound-insulated casings with filters



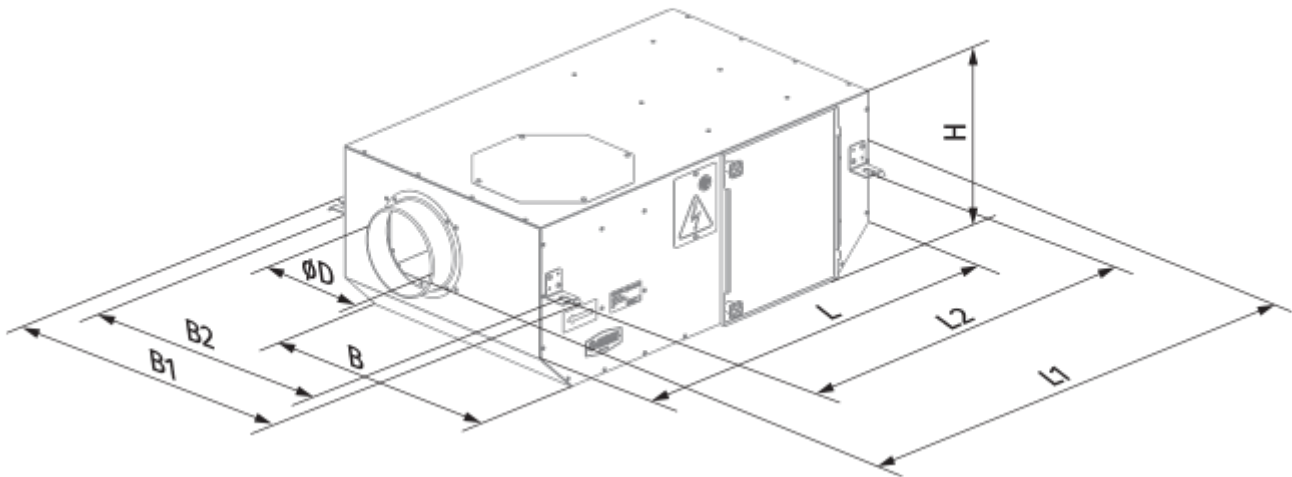
- Maximum airflow: 340
- Sound pressure level LpA at 3 m: 25
- Sound insulation
- Motor type: AC
- Impeller type: Centrifugal impeller with backward curved blades
- Casing material: Coated steel
- Installation in any position

	Unit of measurement	Iso Box-F 150 G4 L V2	
Connected air duct size	mm	150	
Speed	-	2	
Minimum supply voltage	V	230	
Maximum supply voltage	V	230	
Power supply frequency	Hz	50	
Rated power	W	44	52
Unit current	A	0.19	0.23
Maximum airflow	m ³ /h	230	340
Sound pressure level LpA at 3 m	dB(A)	15	25
Weight	kg	13.96	
Transported air temperature (max)	°C	40	
Transported air temperature (min)	°C	-25	
Ingress protection rating	-	IPX4	
Ingress protection rating of the drive	-	IP44	

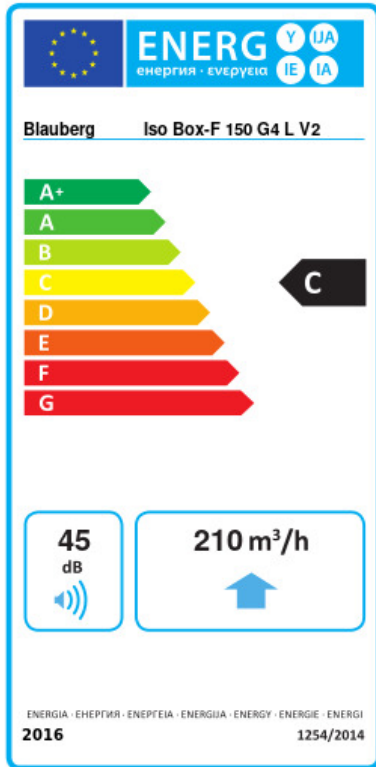


Dimensions

ØD	L	H	B	L1	B1	L2	B2
150	705	250	415	805	508	650	458



Ecodesign



Trademark	Blaubeerg			
Model	Iso Box-F 150 G4 L V2			
Specific energy consumption (SEC) (kWh/(m ² /a))	Cold	Average	Warm	
	-51.5	A+	-24.5	C -9 F
Type of ventilation unit	Unidirectional			
Type of drive installed	2-speed			
Type of heat recovery system	None			
Maximum flow rate (m ³ /h)	210			
Electric power input (W)	43			
Reference flow rate (m ³ /s)	0.054			
Reference pressure difference (Pa)	50			
Specific power input (SPI) (W/(m ³ /h))	0.205			
Control typology	Local demand control			
Maximum external leakage rates (%)	2.7			
Declared typology	RVU UVU			
Sound power level (dB(A))	45			
The annual electricity consumption (AEC) (kWh/a)	Cold	Average	Warm	
	153	153	153	
The annual heating saved (AHS) (kWh/a)	Cold	Average	Warm	
	5536	2830	1280	

Accessories

Other accessories

Name	Photo	Description
CDT E1.8		Thyristor speed controller
CDP-2/10		Multi-speed switch