

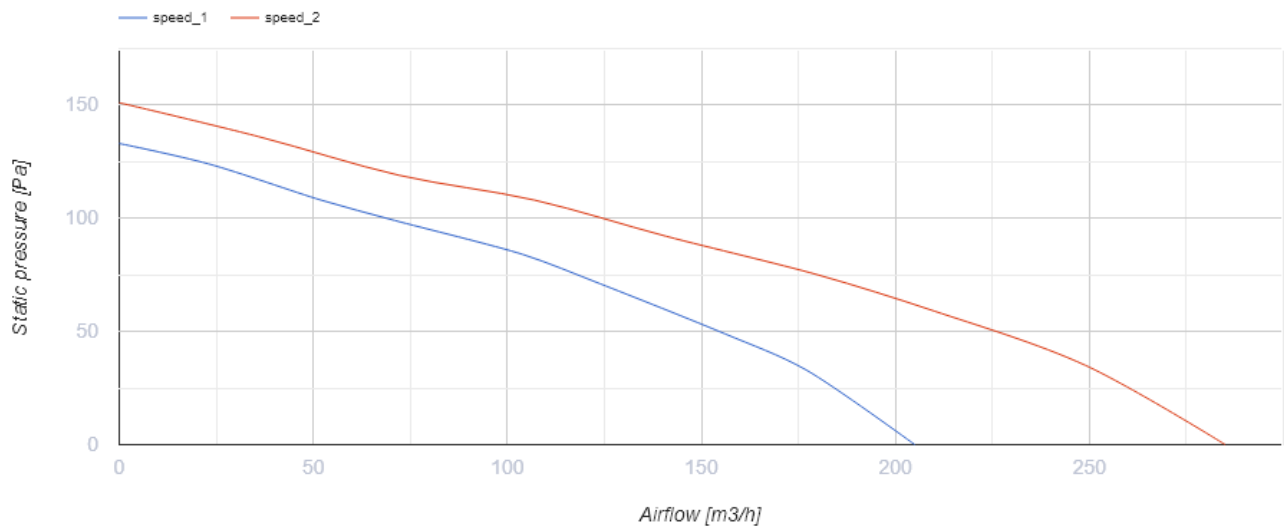
# Iso Box-F 150 G4/H13 L V2

Sound-insulated inline centrifugal fans with filters



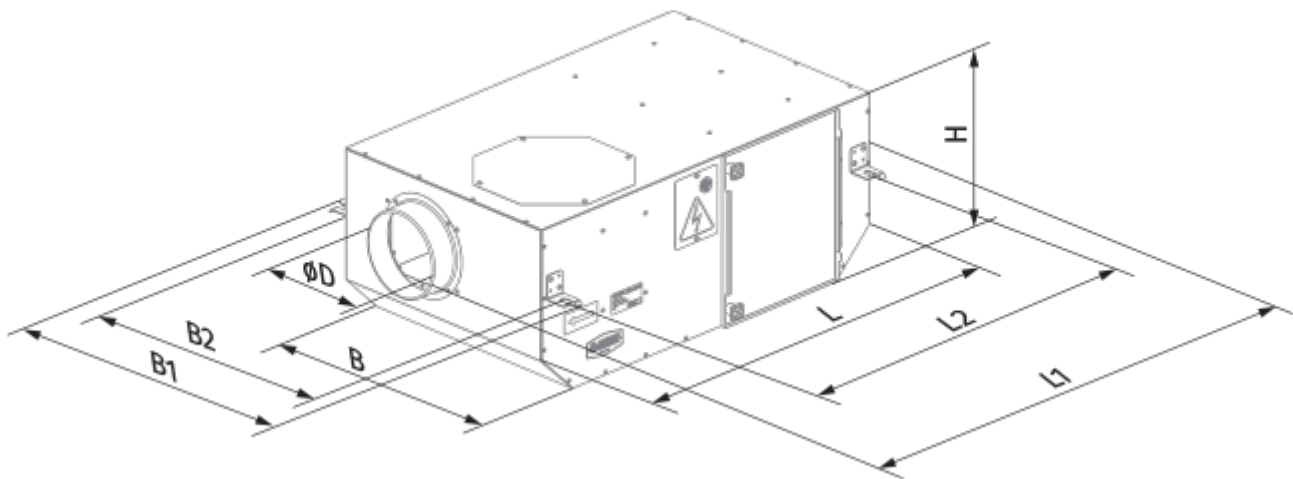
- Maximum airflow: 285
- Sound pressure level LpA at 3 m: 25
- Sound insulation
- Motor type: AC
- Impeller type: Centrifugal impeller with backward curved blades
- Casing material: Coated steel
- Installation in any position

	Unit of measurement	Iso Box-F 150 G4/H13 L V2	
Connected air duct size	mm	150	
Speed	-	2	
Minimum supply voltage	V	230	
Maximum supply voltage	V	230	
Power supply frequency	Hz	50	
Rated power	W	40	48
Unit current	A	0.18	0.21
Maximum airflow	m <sup>3</sup> /h	205	285
Sound pressure level LpA at 3 m	dB(A)	15	25
Weight	kg	14.17	
Transported air temperature (max)	°C	40	
Transported air temperature (min)	°C	-25	
Ingress protection rating	-	IPX4	
Ingress protection rating of the drive	-	IP44	

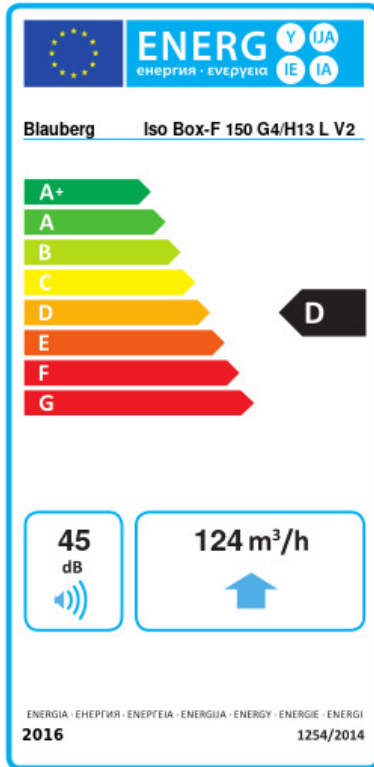


## Dimensions

ØD	L	H	B	L1	B1	L2	B2
150	735	300	440	835	533	680	483



## Ecodesign



Trademark	Blaubeerg					
Model	Iso Box-F 150 G4/H13 L V2					
Specific energy consumption (SEC) (kWh/(m <sup>2</sup> /a))	Cold		Average		Warm	
	-49.5	A+	-22.4	D	-6.9	F
Type of ventilation unit	Unidirectional					
Type of drive installed	2-speed					
Type of heat recovery system	None					
Maximum flow rate (m <sup>3</sup> /h)	124					
Electric power input (W)	39					
Reference flow rate (m <sup>3</sup> /s)	0.043					
Reference pressure difference (Pa)	50					
Specific power input (SPI) (W/(m <sup>3</sup> /h))	0.315					
Control typology	Local demand control					
Maximum external leakage rates (%)	2.7					
Declared typology	RVU UVU					
Sound power level (dB(A))	45					
The annual electricity consumption (AEC) (kWh/a)	Cold		Average		Warm	
	235		235		235	
The annual heating saved (AHS) (kWh/a)	Cold		Average		Warm	
	5536		2830		1280	

## Accessories

### Thyristor speed controllers

Name	Photo	Description
<a href="#">CDT E1.8</a>		Thyristor speed controller

### Speed control switches

Name	Photo	Description
------	-------	-------------

[CDP-2/10](#)



Multi-speed switch