

Iso Box-F 150 G4/H13/Carbon L V2

Sound-insulated inline centrifugal fans with filters

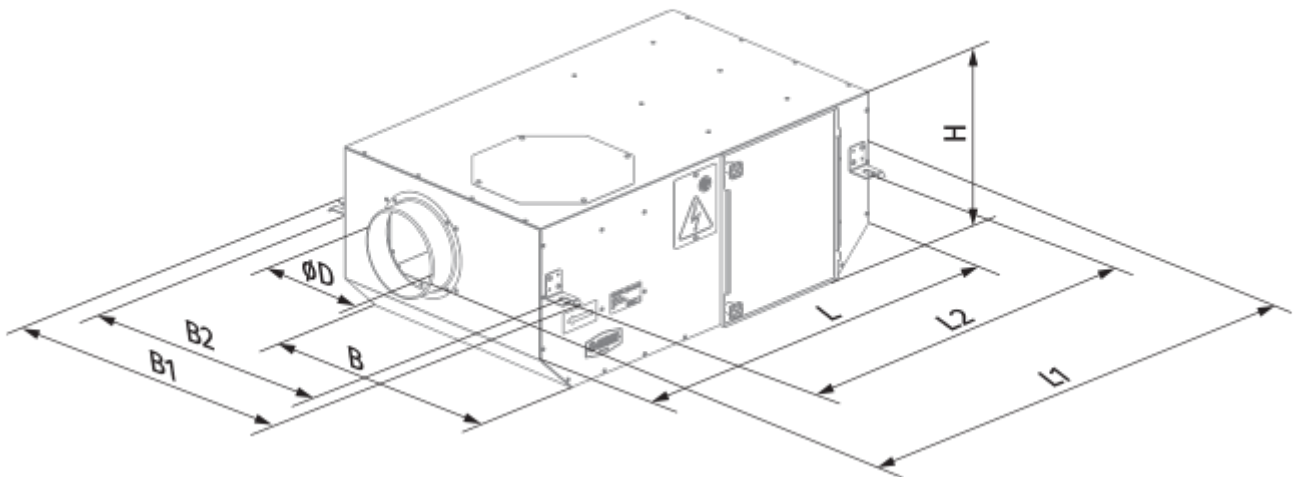


- Maximum airflow: 285
- Sound pressure level LpA at 3 m: 25
- Sound insulation
- Motor type: AC
- Impeller type: Centrifugal backward curved blades
- Casing material: Coated steel
- Installation in any position

| | Unit of measurement | Iso Box-F 150 G4/H13/Carbon L V2 | |
|----------------------------------------|---------------------|----------------------------------|------|
| Connected air duct size | mm | 150 | |
| Speed | - | 2 | |
| Minimum supply voltage | V | 230 | |
| Maximum supply voltage | V | 230 | |
| Power supply frequency | Hz | 50 | |
| Rated power | W | 40 | 48 |
| Unit current | A | 0.18 | 0.21 |
| Maximum airflow | m ³ /h | 205 | 285 |
| Sound pressure level LpA at 3 m | dB(A) | 15 | 25 |
| Weight | kg | 14.87 | |
| Transported air temperature (max) | °C | 40 | |
| Transported air temperature (min) | °C | -25 | |
| Ingress protection rating | - | IPX4 | |
| Ingress protection rating of the drive | - | IP44 | |



Dimensions

| ØD | L | H | B | L1 | B1 | L2 | B2 |
|-----|-----|-----|-----|-----|-----|-----|-----|
| 150 | 735 | 300 | 440 | 835 | 533 | 680 | 483 |



Accessories

Other accessories

| Name | Photo | Description |
|--------------------------|-------------------------------------------------------------------------------------|----------------------------|
| CDT E1.8 |  | Thyristor speed controller |
| CDP-2/5 |  | Multi-speed switch |