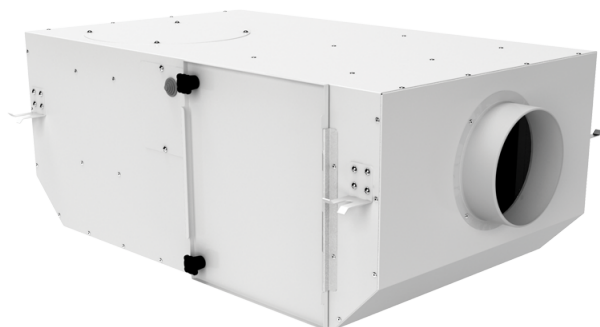


Iso Box-F 150 G4/Carbon L V2

Sound-insulated inline centrifugal fans with filters

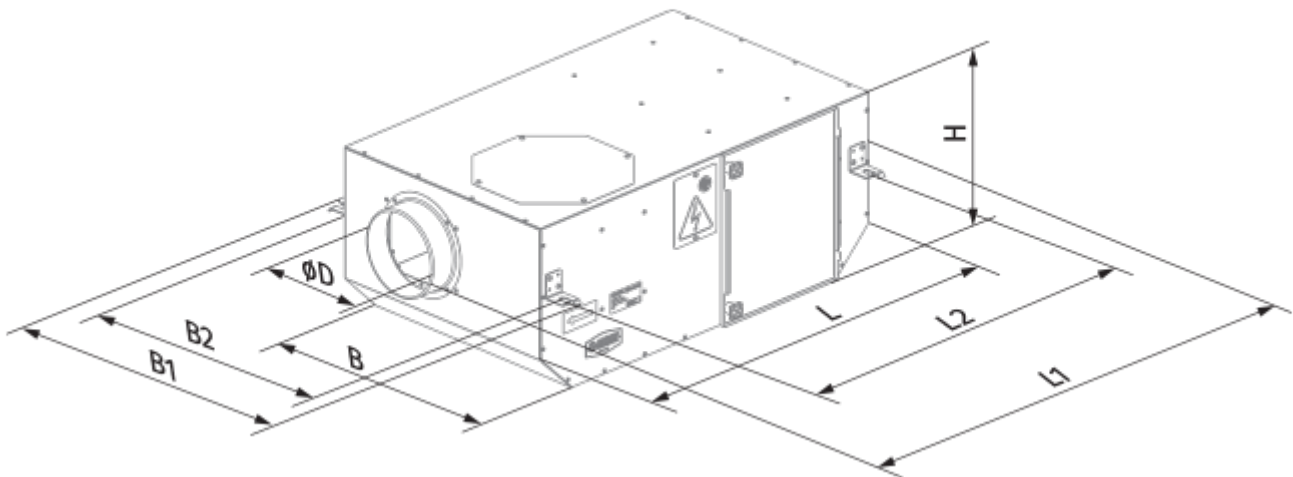


- Maximum airflow: 340
- Sound pressure level LpA at 3 m: 25
- Sound insulation
- Motor type: AC
- Impeller type: Centrifugal backward curved blades
- Casing material: Coated steel
- Installation in any position

	Unit of measurement	Iso Box-F 150 G4/Carbon L V2	
Connected air duct size	mm	150	
Speed	-	2	
Minimum supply voltage	V	230	
Maximum supply voltage	V	230	
Power supply frequency	Hz	50	
Rated power	W	44	52
Unit current	A	0.19	0.23
Maximum airflow	m ³ /h	230	340
Sound pressure level LpA at 3 m	dB(A)	15	25
Transported air temperature (max)	°C	40	
Transported air temperature (min)	°C	-25	
Ingress protection rating	-	IPX4	
Ingress protection rating of the drive	-	IP44	



Dimensions

ØD	L	H	B	L1	B1	L2	B2
150	735	300	440	835	533	680	483



Accessories

Other accessories

Name	Photo	Description
CDT E1.8		Thyristor speed controller
CDP-2/10		Multi-speed switch